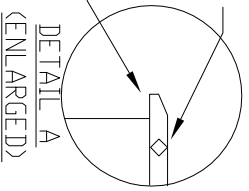
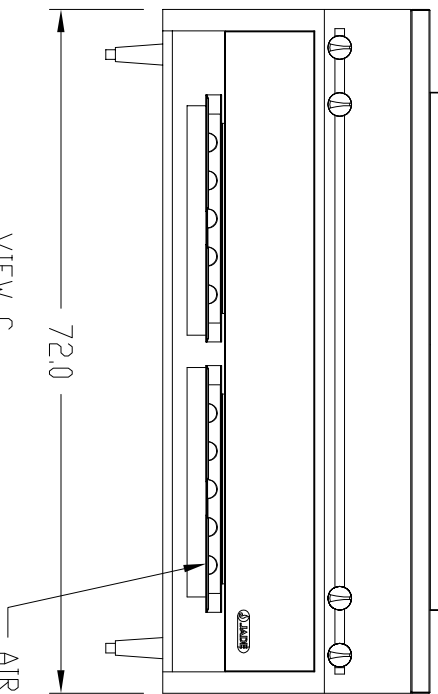
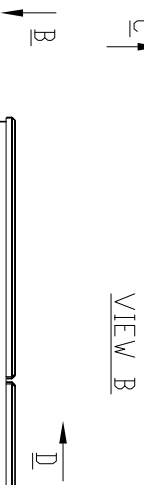
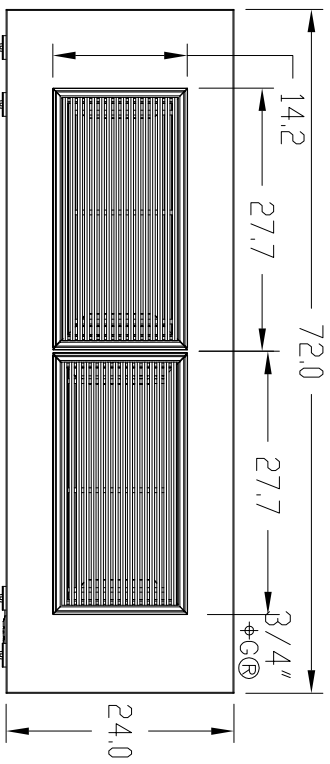
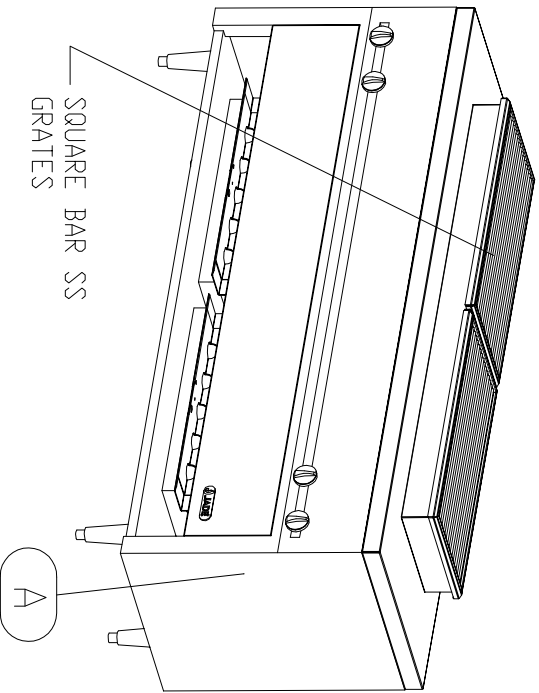


THIS DRAWING IS THE PROPERTY OF JADE RANGE LLC. NO PART OF THIS DOCUMENT MAY BE COPIED OR USED WITHOUT THE WRITTEN PERMISSION. THIS DRAWING IS A CONCEPTUAL LAYOUT SUBJECT TO CHANGES AS THE FINAL MANUFACTURING PARTS ARE CREATED.

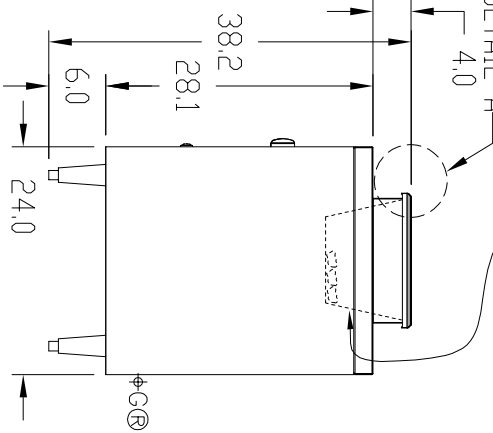
ITEM#	QTY.	MODEL	DESCRIPTION	BTU/UNIT	AMP.
A	1	ROBATA 72X24	ROBATA, UNDER FIRED INFRARED BROILER	140,000	N/A

REVISIONS					
REV	DESCRIPTION	EN	BY	DATE	APPROVED
A	INITIAL RELEASE	XXX	SMW	07/08/11	

CHANGES TO DRAWING MAY RESULT IN CHANGES TO DELIVERY DATE & COST



AIR SHUTTER TEMPERATURE CONTROL



REMOVABLE STAINLESS STEEL WOOD BRIQUETTE BASKET -FOR SMOKE FLAVOR

1. ϕ CG 3/4" GAS REGULATOR & GAS CONNECTION
2. GAS SHUT-OFF VALVES AND CONNECTIONS SUPPLIED BY OTHERS.
3. ALL ELECTRICAL WORK (INSTALLATIONS AND CONNECTIONS) MUST BE PROVIDED BY OTHERS (BY CERTIFIED ELECTRICIAN)

GAS TYPE:	
ELEVATION:	
TO BE SPECIFIED BEFORE MFG.	

JADE RANGE LLC
2850 ORBITER ST.
BAYWOOD, OH 44127
A MIND BODY CO.

UNLESS OTHERWISE NOTED DIMENSIONS ARE IN INCHES AND TOLERANCES: X.XX±0.3 X.XX±0.05, ANGLES ±1°		DESC	
MATERIAL		ROBATA 72X24	FOR
FINISH			
DRAWN	SMW	07/07/11	FOR
CHECKED			DWG NO
APPROVED			11183A
			SCALE
			0.037
			SHEET 1 OF 1