



"140-4" Stainless Steel Enclosed Work Tables

w/ Stainless Steel Base, Panels and Undershelf
w/ Sliding Doors

w/ 6" Riser



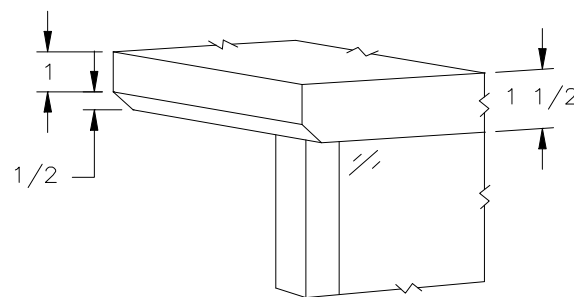
AUTOQUOTES



14 GAUGE TOP			
24"WIDE	Qty	30"WIDE	Qty
140-31		140-36	
140-32		140-37	
140-33		140-38	
140-33A		140-38A	
140-34		140-39	
140-34A		140-39A	
140-35		140-40	

FEATURES:

- * 14 Gauge Stainless Steel Top
Type 300 stainless steel with # 4 polish, satin finish
- * Top is **Sound Deadened**
- * Reinforced with 1"x2" channel running entire length of table
- * 1 1/2" **Stallion Edge** on front and rear with side edges 90 degree bend down for table line-up
- * Stainless Steel Top, Cabinet and Undershelf
Type 300 stainless steel with # 4 polish, satin finish
- * Undershelf is secured in a fixed position, 14 7/8" above floor
- * Adjustable bullet feet
- * Shipped Standard Welded Set-Up
- * Optional drawers, casters, pot racks, etc. available
- * All models are approved by the National Sanitation Foundation and the U.S. Department of Agriculture.



STALLION
SAFETY
EDGE

CONSTRUCTION:

Top: Stainless Steel Tops are TIG welded, Exposed welds are polished to match adjacent surface.

MATERIAL:

- Top: 14 gauge stainless steel
Type 300 stainless steel with # 4 polish, satin finish
- Doors: 18 gauge stainless steel
Type 300 stainless steel with # 4 polish, satin finish
- Shelf: 18 gauge type 300 stainless steel # 4 polish, satin finish
4 polish, satin finish
- Legs: 1 1/2" Square O.D., 16 gauge type 300 tubular stainless steel
4 polish, satin finish
- Panels: 22 gauge stainless steel
Type 300 stainless steel with # 4 polish, satin finish
- Feet: 1" adjustable stainless steel feet

OPTIONAL ACCESSORIES

	MODEL #	Qty
ELECTRICAL OUTLET CUTOUT		
CASTERS		
OVERSHELVES		
POT RACK		
SINKS		
INTERMEDIATE SHELF		
S/S BUN PAN RACK		

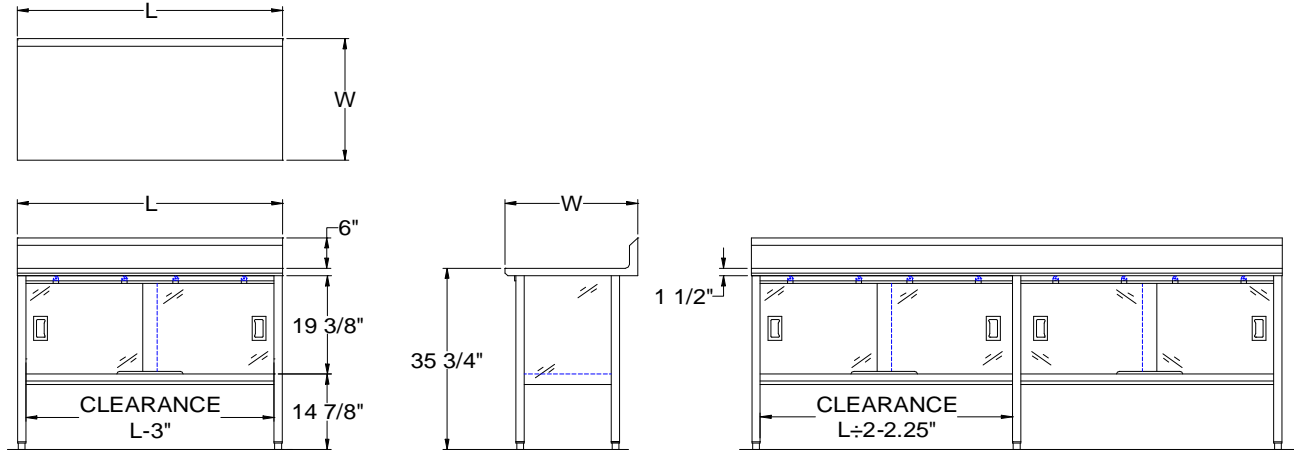
John Boos & Co

3601 S. Banker Street - Effingham, IL 62401

Phone: 217-347-7701 - Fax: 217-347-7705

Email: sales@johnboos.com - Web-site: www. johnboos.com

DETAILED SPECIFICATIONS



Shipped Welded Set-Up
 Units 7 ft. and larger are furnished with six legs.
 All dimensions are typical.
 Tolerance +/- .500".

Finished size of undershelf.
 Shelf length = length minus 4.875"
 Shelf width = width minus 4.25"

14 GAUGE TOP

L	24" WIDE	WT.	30" WIDE	WT.
48	140-31	196	140-36	213
60	140-32	228	140-37	247
72	140-33	260	140-38	283
84	140-33A	299	140-38A	324
96	140-34	337	140-39	364
108	140-34A	370	140-39A	400
120	140-35	403	140-40	435

John Boos & Co

3601 S. Banker Str. - Effingham, IL 62401 Phone: 217-347-7701 - Fax: 217-347-7705
 Email: sales@johnboos.com - Web-site: www.johnboos.com



July 2013

John Boos is constantly engaged in a program of improving products and therefore reserves the right to change specification without prior notice