



"160-4" Stainless Steel Enclosed Work Tables

w/ Stainless Steel Base, Panels and Undershelf
w/ Sliding Doors

w/ 6" Riser



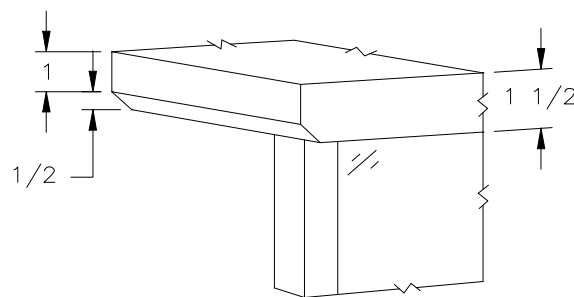
AUTOQUOTES



16 GAUGE TOP			
24"WIDE	Qty	30"WIDE	Qty
160-31		160-36	
160-32		160-37	
160-33		160-38	
160-33A		160-38A	
160-34		160-39	
160-34A		160-39A	
160-35		160-40	

FEATURES:

- * 16 Gauge Stainless Steel Top
Type 300 stainless steel with # 4 polish, satin finish
- * Top is **Sound Deadened**
- * Reinforced with 1"x2" channel running entire length of table
- * 1 1/2" **Stallion Edge** on front and rear with side edges 90 degree bend down for table line-up
- * Stainless Steel Top, Cabinet and Undershelf
Type 300 stainless steel with # 4 polish, satin finish
- * Undershelf is secured in a fixed position, 14 7/8" above floor
- * Adjustable bullet feet
- * Shipped Standard Welded Set-Up
- * Optional drawers, casters, pot racks, etc. available
- * All models are approved by the National Sanitation Foundation and the U.S. Department of Agriculture.



STALLION
SAFETY
EDGE

CONSTRUCTION:

Top: Stainless Steel Tops are TIG welded, Exposed welds are polished to match adjacent surface.

MATERIAL:

Top: 16 gauge stainless steel
Type 300 stainless steel with # 4 polish, satin finish

Doors: 18 gauge stainless steel
Type 300 stainless steel with # 4 polish, satin finish

Shelf: 18 gauge type 300 stainless steel # 4 polish, satin finish
4 polish, satin finish

Legs: 1 1/2" Square O.D., 16 gauge type 300 tubular stainless steel
4 polish, satin finish

Panels: 22 gauge stainless steel
Type 300 stainless steel with # 4 polish, satin finish

Feet: 1" adjustable stainless steel feet

OPTIONAL ACCESSORIES

	MODEL #	Qty
ELECTRICAL OUTLET CUTOUT		
CASTERS		
OVERSHELVES		
POT RACK		
SINKS		
INTERMEDIATE SHELF		
S/S BUN PAN RACK		

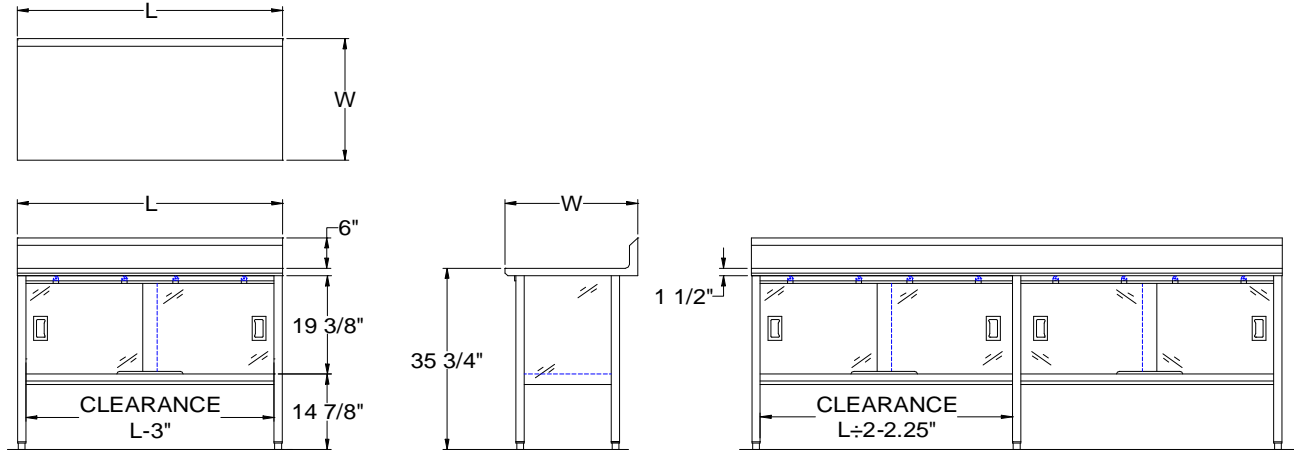
John Boos & Co

3601 S. Banker Street - Effingham, IL 62401

Phone: 217-347-7701 - Fax: 217-347-7705

Email: sales@johnboos.com - Web-site: www. johnboos.com

DETAILED SPECIFICATIONS



Shipped Welded Set-Up
 Units 7 ft. and larger are furnished with six legs.
 All dimensions are typical.
 Tolerance +/- .500".

Finished size of undershelf.
 Shelf length = length minus 4.875"
 Shelf width = width minus 4.25"

16 GAUGE TOP

L	24" WIDE	WT.	30" WIDE	WT.
48	160-31	116	160-36	136
60	160-32	135	160-37	153
72	160-33	163	160-38	183
84	160-33A	287	160-38A	295
96	160-34	207	160-39	230
108	160-34A	357	160-39A	367
120	160-35	248	160-40	276

John Boos & Co

3601 S. Banker Str. - Effingham, IL 62401 Phone: 217-347-7701 - Fax: 217-347-7705
 Email: sales@johnboos.com - Web-site: www.johnboos.com



July 2013

John Boos is constantly engaged in a program of improving products and therefore reserves the right to change specification without prior notice