



# "1PB" Pro-Bowl Sinks - 16 Gauge

One Compartment Sinks  
w/ Stainless Steel Base & Bracing



**AUTOQUOTES**



**STANDARD:** 16 ga. 300 S/S Welded Bowls  
16 ga. 300 S/S Deck and Splash  
10" Back Splash  
12" or 14" Deep Bowls

16 Gauge 12" Deep		Qty	16 Gauge 14" Deep		Qty
1PB1618			1PB16184		
1PB18			1PB184		
1PB1824			1PB18244		
1PB24			1PB244		
1PB3024			1PB30244		

**FEATURES:**

- \* Standard 16 Gauge Type 300 stainless steel with # 4 polish, satin finish
- \* 12" & 14" Deep Bowls
- \* All Corners, both vertical and horizontal, covered at 5/8" radius
- \* Bottoms of bowls formed for drainage to 3-1/2" diameter die stamped opening
- \* Full length **10" High Boxed Backsplash**, with 2" return to wall at 45 degree and 3/4" turned down rear lip
- \* 1-1/8" Faucet Holes in Backsplash
- \* Solid Stainless Steel front panel, type 300 stainless steel with # 4 polish, satin finish
- \* All outside corners of assembly are Bullnosed to provide safe, clean and polished edge
- \* Standard legs 1-5/8" diameter, 16 gauge stainless steel
- \* Legs located directly under sink bowls, providing increased stability and maximum weight support

**Bowl Sizes:**

16" X 18"	18" X 24"
16" X 20"	24" X 24"
18" X 18"	30" X 24"

**CONSTRUCTION:**

Top: Stainless Steel Sinks are TIG welded, Exposed welds are polished to match adjacent surface.  
Bases: Stainless Steel Bases, Standard K.D.

**MATERIAL:**

Bowls & 16 gauge Stainless Steel  
Top: Type 300 stainless steel with # 4 polish, satin finish  
Legs: 1 5/8" Round O.D., 16 gauge stainless steel  
Bracing: 1 1/4" Round O.D., 16 gauge stainless steel  
Gussets: Stainless Steel  
Feet: 1" adjustable stainless steel bullet feet

**OPTIONAL ACCESSORIES**

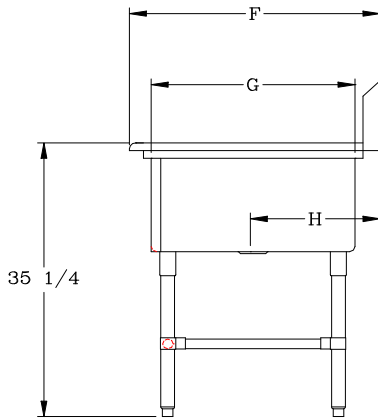
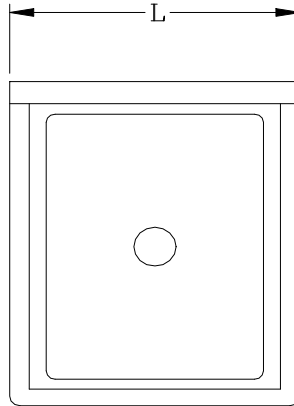
	Qty
END SPLASHS, RIGHT , LEFT or BOTH	
FAUCETS	
ADD-A-FAUCETS	
PRE-RINSE UNITS	
LEVEL WASTE	
OVERSHELVES	
POT RACK	

**John Boos & Co**

3601 S. Banker Street - Effingham, IL 62401  
Phone: 217-347-7701 - Fax: 217-347-7705  
Email: sales@johnboos.com - Web-site: www. johnboos.com

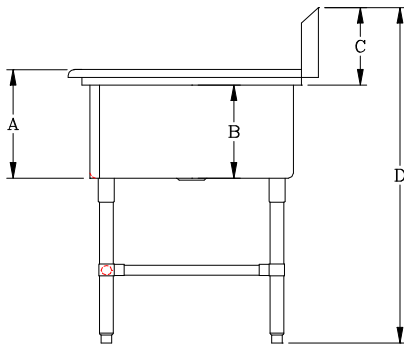
## DETAILED SPECIFICATIONS

BOWLS	F	G	H
16 X 18	23-1/2"	18"	11-15/16"
16 X 20	25-1/2"	20"	12-15/16"
18 X 18	23-1/2"	18"	11-15/16"
18 X 24	29-1/2"	24"	14-15/16"
24 X 24	29-1/2"	24"	14-15/16"
30 X 24	29-1/2"	24"	14-15/16"



16 GAUGE * 12" DEEP				
MODEL	BOWL SIZE	DIMENSIONS	DB	WT.
1PB1618	16 X 18 X 12	21-1/8" X 23-1/2"	-	55
1PB18	18 X 18 X 12	23-1/8" X 23-1/2"	-	145
1PB1824	18 X 24 X 12	23-1/8" X 29-1/2"	-	165
1PB24	24 X 24 X 12	29-1/8" X 29-1/2"	-	168
1PB3024	30 X 24 X 12	35-1/8" X 29-1/2"	-	201

	12" Deep	14" Deep
<b>A</b>	14"	16"
<b>B</b>	12"	14"
<b>C</b>	10"	10"
<b>D</b>	43"	43"



16 GAUGE * 14" DEEP				
MODEL	BOWL SIZE	DIMENSIONS	DB	WT.
1PB16184	16 X 18 X 14	21-18" X 23-1/2"	-	58
1PB184	18 X 18 X 14	23-1/8" X 23-1/2"	-	148
1PB18244	18 X 24 X 14	23-1/8" X 29-1/2"	-	168
1PB244	24 X 24 X 14	29-1/2" X 29-1/2"	-	171
1PB30244	30 X 24 X 14	35-1/8" X 29-1/2"	-	204

All dimensions are typical.

Tolerance +/- .500".

All units ship unassembled for reduced shipping cost.

### John Boos & Co

3601 S. Banker Str - Effingham, IL 62401 Phone: 217-347-7701 - Fax: 217-347-7705

Email: sales@johnboos.com - Web-site: www.johnboos.com



July 2013

John Boos is constantly engaged in a program of improving products and therefore reserves the right to change specification without prior notice