



# "1PB-1DB" Pro-Bowl Sinks - 16 Gauge

One Compartment Sinks w/ 1 Drainboard  
w/ Stainless Steel Base & Bracing



AUTOQUOTES



**STANDARD:** 16 ga. 300 S/S welded Bowls  
16 ga. 300 S/S Drainboard and Splash  
10" Back Splash  
12" or 14" Deep Bowls

16 GAUGE 12" Deep		Qty	16 GAUGE 14" Deep		Qty
1PB1618-1D18			1PB16184-1D18		
1PB1618-1D24			1PB16184-1D24		
1PB18-1D18			1PB184-1D18		
1PB18-1D24			1PB184-1D24		
1PB18-1D30			1PB184-1D30		
1PB1824-1D18			1PB18244-1D18		
1PB1824-1D24			1PB18244-1D24		
1PD1824-1D30			1PD18244-1D30		
1PB24-1D24			1PB244-1D24		
1PB24-1D30			1PB244-1D30		
1PB3024-1D30			1PB30244-1D30		
1PB3024-1D36			1PB30244-1D36		

**FEATURES:**

- \* Standard 16 Gauge  
Type 300 stainless steel with # 4 polish, satin finish
- \* 12" & 14" Deep Bowls
- \* All Corners, both vertical and horizontal, covered at 5/8" radius
- \* Bottoms of bowls formed for drainage to 3-1/2" diameter die stamped opening
- \* Full length **10" High Boxed Backsplash**, with 2" return to wall at 45 degree and 3/4" turned down rear lip
- \* 1-1/8" Faucet Holes in Backsplash
- \* Solid Stainless Steel front panel, type 300 stainless steel with # 4 polish, satin finish
- \* All outside corners of assembly are Bullnosed to provide safe, clean and polished edge
- \* Standard legs 1-5/8" diameter, 16 gauge stainless steel
- \* Legs located directly under sink bowls, providing increased stability and maximum weight support

**Must specify Left or Right  
Drainboards**

**Bowl Sizes:**

16" X 18"	18" X 24"
16" X 20"	24" X 24"
18" X 18"	30" X 24"

**CONSTRUCTION:**

Top: Stainless Steel Sinks are TIG welded, Exposed welds are polished to match adjacent surface.  
Bases: Stainless Steel Bases, Standard K.D.

**MATERIAL:**

Bowls & 16 gauge stainless Steel  
Top: Type 300 stainless steel with # 4 polish, satin finish  
Legs: 1 5/8" Round O.D., 16 gauge stainless steel  
Bracing: 1 1/4" Round O.D., 16 gauge stainless steel  
Gussets: Stainless Steel  
Feet: 1" adjustable stainless steel bullet feet

**OPTIONAL  
ACCESSORIES**

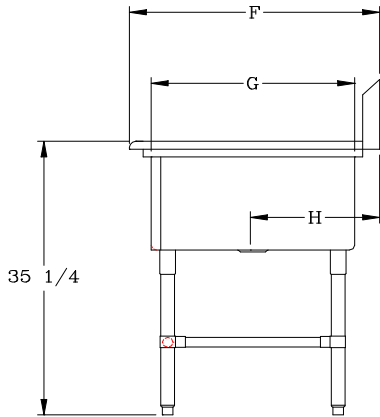
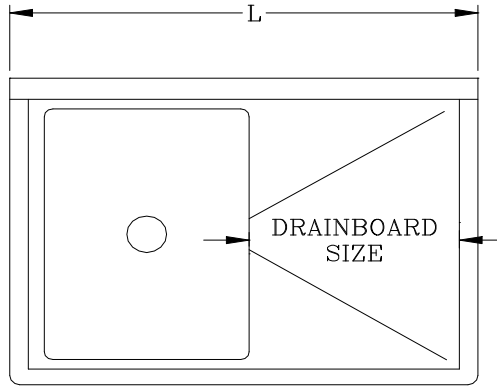
	Qty
END SPLASHS, RIGHT , LEFT or BOTH	
FAUCETS	
ADD-A-FAUCETS	
PRE-RINSE UNITS	
LEVEL WASTE	
OVERSHELVES	
POT RACK	

**John Boos & Co**

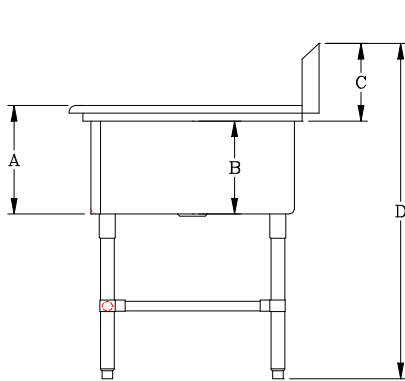
3601 S. Banker Street - Effingham, IL 62401  
Phone: 217-347-7701 - Fax: 217-347-7705  
Email: sales@johnboos.com - Web-site: www. johnboos.com

## DETAILED SPECIFICATIONS

BOWLS	F	G	H
16 X 18	23-1/2"	18"	11-15/16"
16 X 20	25-1/2"	20"	12-15/16"
18 X 18	23-1/2"	18"	11-15/16"
18 X 24	29-1/2"	24"	14-15/16"
24 X 24	29-1/2"	24"	14-15/16"
30 X 24	29-1/2"	24"	14-15/16"



16 GAUGE * 12" DEEP				
MODEL	BOWL SIZE	DIMENSIONS	DB	WT.
1PB1618-1D18	16 X 18 X 12	38-3/16" X 23-1/2"	18"	177
1PB1618-1D24	16 X 18 X 12	44-3/16" X 23-1/2"	24"	190
1PB18-1D18	18 X 18 X 12	40-3/16" X 23-1/2"	18"	185
1PB18-1D24	18 X 18 X 12	46-3/16" X 23-1/2"	24"	197
1PB18-1D30	18 X 18 X 12	52-3/16" X 23-1/2"	30"	209
1PB1824-1D18	18 X 24 X 12	40-3/16" X 29-1/2"	18"	202
1PB1824-1D24	18 X 24 X 12	46-3-16" X 29-1/2"	24"	217
1PB1824-1D30	18 X 24 X 12	52-3/16" X 29-1/2"	30"	229
1PB24-1D24	24 X 24 X 12	52-3/16" X 29-1/2"	24"	237
1PB24-1D30	24 X 24 X 12	58-3/16" X 29-1/2"	30"	254
1PB3024-1D30	30 X 24 X 12	64-3/16" X 29-1/2"	30"	266
1PB3024-1D36	30 X 24 X 12	70-3/16" X 29-1/2"	36"	278



	12" Deep	14" Deep
A	14"	16"
B	12"	14"
C	10"	10"
D	43"	43"

16 GAUGE * 14" DEEP				
MODEL	BOWL SIZE	DIMENSIONS	DB	WT.
1PB16184-1D18	16 X 18 X 14	38-3/16" X 23-1/2"	18"	180
1PB16184-1D24	18 X 18 X 14	44-3/16" X 23-1/2"	24"	193
1PB184-1D18	18 X 24 X 14	40-3/16" X 23-1/2"	18"	188
1PB184-1D24	24 X 24 X 14	46-3/16" X 23-1/2"	24"	200
1PB184-1D30	18 X 18 X 14	52-3/16" X 23-1/2"	30"	212
1PB18244-1D18	18 X 24 X 14	40-3/16" X 29-1/2"	18"	205
1PB18244-1D24	18 X 24 X 14	46-3-16" X 29-1/2"	24"	220
1PB18244-1D30	18 X 24 X 14	52-3/16" X 29-1/2"	30"	232
1PB244-1D24	24 X 24 X 14	52-3/16" X 29-1/2"	24"	240
1PB244-1D30	24 X 24 X 14	58-3/16" X 29-1/2"	30"	257
1PB30244-1D30	30 X 24 X 14	64-3/16" X 29-1/2"	30"	269
1PB30244-1D36	30 X 24 X 14	70-3/16" X 29-1/2"	36"	281

All dimensions are typical.  
Tolerance +/- .500".

All units ship unassembled for reduced shipping cost.

### John Boos & Co

3601 S. Banker Str - Effingham, IL 62401 Phone: 217-347-7701 - Fax: 217-347-7705

Email: sales@johnboos.com - Web-site: www.johnboos.com



July 2013

John Boos is constantly engaged in a program of improving products and therefore reserves the right to change specification without prior notice