



"2PB-1DB" Pro-Bowl Sinks - 16 Gauge



Two Compartment Sinks w/ 1 Drainboard
w/ Stainless Steel Base & Bracing

AUTOQUOTES



STANDARD: 16 ga. 300 S/S welded Bowls
16 ga. 300 S/S Drainboard and Splash
10" Back Splash
12" or 14" Deep Bowls

16 GAUGE 12" Deep		Qty	16 GAUGE 14" Deep		Qty
2PB1618-1D18			2PB16184-1D18		
2PB1618-1D24			2PB16184-1D24		
2PB18-1D18			2PB184-1D18		
2PB18-1D24			2PB184-1D24		
2PB18-1D30			2PB184-1D30		
2PB1824-1D18			2PB18244-1D18		
2PB1824-1D24			2PB18244-1D24		
2PD1824-1D30			2PD18244-1D30		
2PB24-1D24			2PB244-1D24		
2PB24-1D30			2PB244-1D30		
2PB3024-1D30			2PB30244-1D30		
2PB3024-1D36			2PB30244-1D36		

FEATURES:

- * Standard 16 Gauge
Type 300 stainless steel with # 4 polish, satin finish
- * 12" & 14" Deep Bowls
- * All Corners, both vertical and horizontal, covered at 5/8" radius
- * Bottoms of bowls formed for drainage to 3-1/2" diameter die stamped opening
- * Full length **10" High Boxed Backsplash**, with 2" return to wall at 45 degree and 3/4" turned down rear lip
- * 1-1/8" Faucet Holes in Backsplash
- * Solid Stainless Steel front panel, type 300 stainless steel with # 4 polish, satin finish
- * All outside corners of assembly are Bullnosed to provide safe, clean and polished edge
- * Standard legs 1-5/8" diameter, 16 gauge stainless steel
- * Legs located directly under sink bowls, providing increased stability and maximum weight support
- * 36" Drainboards are standard w/ additional stainless steel legs

**Must specify Left or Right
Drainboards**

Bowl Sizes:

16" X 18"	18" X 24"
16" X 20"	24" X 24"
18" X 18"	30" X 24"

CONSTRUCTION:

Top: Stainless Steel Sinks are TIG welded, Exposed welds are polished to match adjacent surface.
Bases: Stainless Steel Bases, Standard K.D.

MATERIAL:

Bowls & 16 gauge stainless Steel
Top: Type 300 stainless steel with # 4 polish, satin finish
Legs: 1 5/8" Round O.D., 16 gauge stainless steel
Bracing: 1 1/4" Round O.D., 16 gauge stainless steel
Gussets: Stainless Steel
Feet: 1" adjustable stainless steel bullet feet

**OPTIONAL
ACCESSORIES**

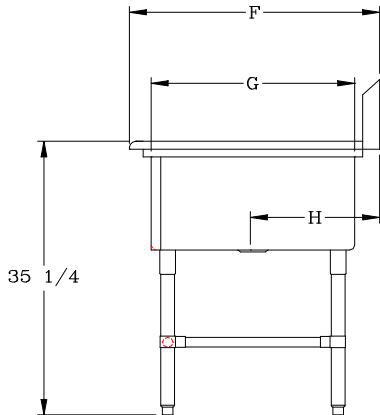
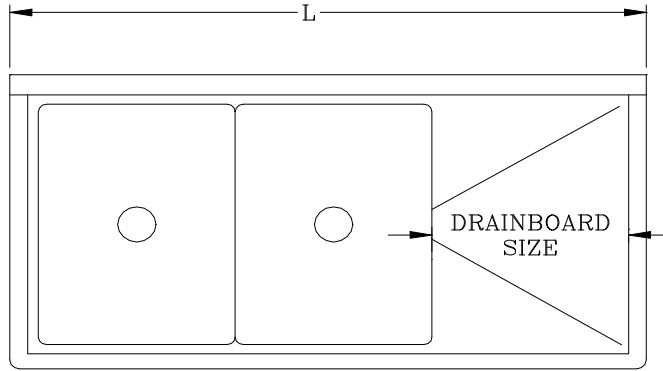
	Qty
END SPLASHS, RIGHT , LEFT or BOTH	
FAUCETS	
ADD-A-FAUCETS	
PRE-RINSE UNITS	
LEVEL WASTE	
OVERSHELVES	
POT RACK	

John Boos & Co

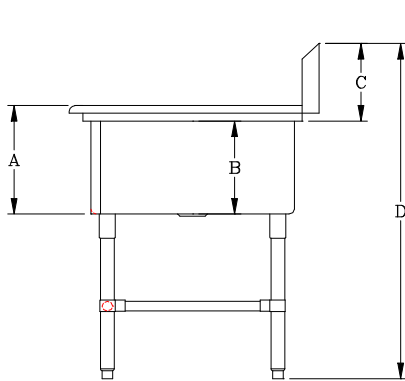
3601 S. Banker Street - Effingham, IL 62401
Phone: 217-347-7701 - Fax: 217-347-7705
Email: sales@johnboos.com - Web-site: www. johnboos.com

DETAILED SPECIFICATIONS

BOWLS	F	G	H
16 X 18	23-1/2"	18"	11-15/16"
16 X 20	25-1/2"	20"	12-15/16"
18 X 18	23-1/2"	18"	11-15/16"
18 X 24	29-1/2"	24"	14-15/16"
24 X 24	29-1/2"	24"	14-15/16"
30 X 24	29-1/2"	24"	14-15/16"



16 GAUGE * 12" DEEP				
MODEL	BOWL SIZE	DIMENSIONS	DB	WT.
2PB1618-1D18	16 X 18 X 12	54-3/16" X 23-1/2"	18"	250
2PB1618-1D24	16 X 18 X 12	60-3/16" X 23-1/2"	24"	275
2PB18-1D18	18 X 18 X 12	58-3/16" X 23-1/2"	18"	270
2PB18-1D24	18 X 18 X 12	64-3/16" X 23-1/2"	24"	285
2PB18-1D30	18 X 18 X 12	76-3/16" X 23-1/2"	30"	295
2PB1824-1D18	18 X 24 X 12	58-3/16" X 29-1/2"	18"	300
2PB1824-1D24	18 X 24 X 12	64-3-16" X 29-1/2"	24"	315
2PB1824-1D30	18 X 24 X 12	70-3/16" X 29-1/2"	30"	330
2PB24-1D24	24 X 24 X 12	76-3/16" X 29-1/2"	24"	355
2PB24-1D30	24 X 24 X 12	82-3/16" X 29-1/2"	30"	370
2PB3024-1D30	30 X 24 X 12	94-3/16" X 29-1/2"	30"	385
2PB3024-1D36	30 X 24 X 12	100-3/16" X 29-1/2"	36"	400



	12" Deep	14" Deep
A	14"	16"
B	12"	14"
C	10"	10"
D	43"	43"

16 GAUGE * 14" DEEP				
MODEL	BOWL SIZE	DIMENSIONS	DB	WT.
2PB16184-1D18	16 X 18 X 14	54-3/16" X 23-1/2"	18"	256
2PB16184-1D24	18 X 18 X 14	60-3/16" X 23-1/2"	24"	281
2PB184-1D18	18 X 24 X 14	58-3/16" X 23-1/2"	18"	276
2PB184-1D24	24 X 24 X 14	64-3/16" X 23-1/2"	24"	291
2PB184-1D30	18 X 18 X 14	76-3/16" X 23-1/2"	30"	301
2PB18244-1D18	18 X 24 X 14	58-3/16" X 29-1/2"	18"	306
2PB18244-1D24	18 X 24 X 14	64-3-16" X 29-1/2"	24"	321
2PB18244-1D30	18 X 24 X 14	70-3/16" X 29-1/2"	30"	336
2PB244-1D24	24 X 24 X 14	76-3/16" X 29-1/2"	24"	361
2PB244-1D30	24 X 24 X 14	82-3/16" X 29-1/2"	30"	376
2PB30244-1D30	30 X 24 X 14	94-3/16" X 29-1/2"	30"	391
2PB30244-1D36	30 X 24 X 14	100-3/16" X 29-1/2"	36"	406

All dimensions are typical.

Tolerance +/- .500".

All units ship unassembled for reduced shipping cost.

John Boos & Co

3601 S. Banker Str- Effingham, IL 62401 Phone: 217-347-7701 - Fax: 217-347-7705

Email: sales@johnboos.com - Web-site: www.johnboos.com



July 2013

John Boos is constantly engaged in a program of improving products and therefore reserves the right to change specification without prior notice