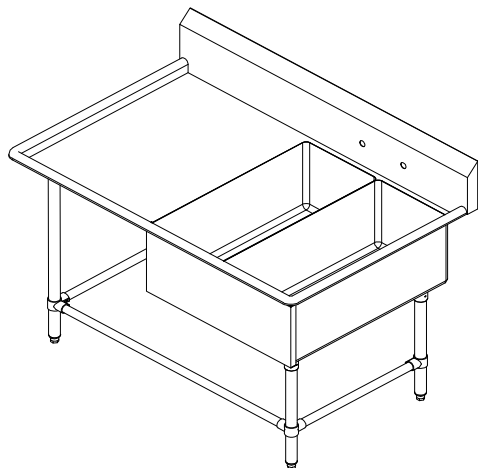




# "2PBPS1431-1DB" Pro-Bowl Sinks - 16 Gauge

Two Compartment Sinks w/ 1 Drainboard  
w/ Stainless Steel Base & Bracing



AUTOQUOTES



**STANDARD:** 16 ga. 300 S/S welded Bowls  
16 ga. 300 S/S Drainboard and Splash  
10" Back Splash  
12" or 14" Deep Bowls

16 GAUGE 12" Deep		16 GAUGE 14" Deep	
	Qty		Qty
2PBPS1431-1D18		2PBPS14314-1D18	
2PBPS1431-1D24		2PBPS14314-1D24	
2PBPS1431-1D30		2PBPS14314-1D30	

**FEATURES:**

- \* Standard 16 Gauge  
Type 300 stainless steel with # 4 polish, satin finish
- \* 12" & 14" Deep Bowls
- \* All Corners, both vertical and horizontal, covered at 5/8" radius
- \* Bottoms of bowls formed for drainage to 3-1/2" diameter die stamped opening
- \* Full length **10" High Boxed Backsplash**, with 2" return to wall at 45 degree and 3/4" turned down rear lip
- \* 1-1/8" Faucet Holes in Backsplash
- \* Solid Stainless Steel front panel, type 300 stainless steel with # 4 polish, satin finish
- \* All outside corners of assembly are Bullnosed to provide safe, clean and polished edge
- \* Standard legs 1-5/8" diameter, 16 gauge stainless steel
- \* Legs located directly under sink bowls, providing increased stability and maximum weight support

**Must specify Left or Right  
Drainboards**

**Bowl Size:**

14" X 31"

**CONSTRUCTION:**

- Top: Stainless Steel Sinks are TIG welded, Exposed welds are polished to match adjacent surface.
- Bases: Stainless Steel Bases, Standard K.D.

**MATERIAL:**

- Bowls & 16 gauge stainless Steel
- Top: Type 300 stainless steel with # 4 polish, satin finish
- Legs: 1 5/8" Round O.D., 16 gauge stainless steel
- Bracing: 1 1/4" Round O.D., 16 gauge stainless steel
- Gussets: Stainless Steel
- Feet: 1" adjustable stainless steel bullet feet

**OPTIONAL  
ACCESSORIES**

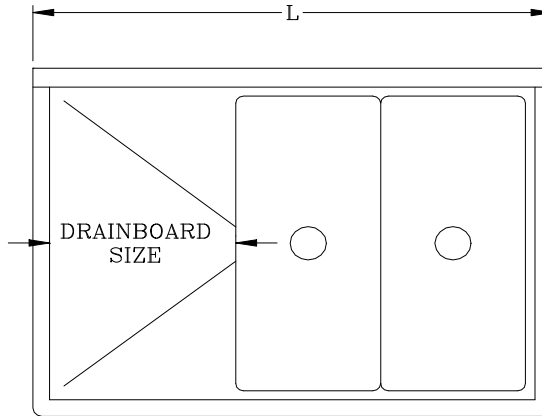
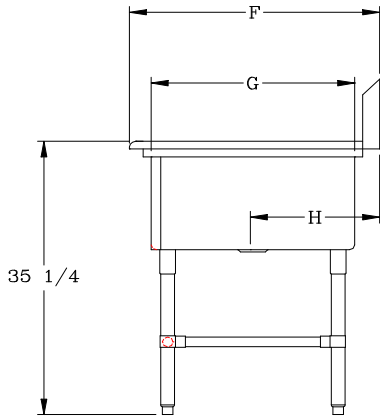
	Qty
END SPLASHS, RIGHT , LEFT or BOTH	
FAUCETS	
ADD-A-FAUCETS	
PRE-RINSE UNITS	
LEVEL WASTE	
OVERSHELVES	
POT RACK	

**John Boos & Co**

3601 S. Banker Street - Effingham, IL 62401  
Phone: 217-347-7701 - Fax: 217-347-7705  
Email: sales@johnboos.com - Web-site: www. johnboos.com

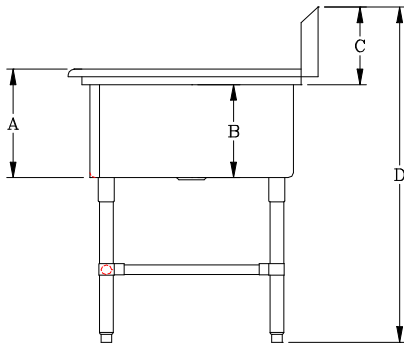
## DETAILED SPECIFICATIONS

BOWLS	F	G	H
14 X 31	36-1/2"	31"	18-7/16"



16 GAUGE * 12" DEEP				
MODEL	BOWL SIZE	DIMENSIONS	DB	WT.
2PBPS1431-1D18	14 X 31 X 12	50-3/16" X 36-1/2"	18"	305
2PBPS1431-1D24	14 X 31 X 12	56-3/16" X 36-1/2"	24"	315
2PBPS1431-1D30	14 X 31 X 12	62-3/16" X 36-1/2"	30"	333

	12" Deep	14" Deep
<b>A</b>	14"	16"
<b>B</b>	12"	14"
<b>C</b>	10"	10"
<b>D</b>	43"	43"



16 GAUGE * 14" DEEP				
MODEL	BOWL SIZE	DIMENSIONS	DB	WT.
2PBPS14314-1D18	14 X 31 X 14	50-3/16" X 36-1/2"	18"	311
2PBPS14314-1D24	14 X 31 X 14	56-3/16" X 36-1/2"	24"	321
2PBPS14314-1D30	14 X 31 X 14	62-3/16" X 36-1/2"	30"	339

All dimensions are typical.  
Tolerance +/- .500".  
All units ship unassembled for reduced shipping cost.

### John Boos & Co

3601 S. Banker Str- Effingham, IL 62401 Phone: 217-347-7701 - Fax: 217-347-7705  
Email: sales@johnboos.com - Web-site: www.johnboos.com



July 2013

John Boos is constantly engaged in a program of improving products and therefore reserves the right to change specification without prior notice