



# "1PB-1DB" Pro-Bowl Sinks - 14 Gauge

One Compartment Sinks w/ 1 Drainboard  
w/ Stainless Steel Base & Bracing



AUTOQUOTES



**STANDARD:** 14 ga. 300 S/S welded Bowls  
14 ga. 300 S/S Drainboard and Splash  
10" Back Splash  
12" or 14" Deep Bowls

14 GAUGE 12" Deep		Qty	14 GAUGE 14" Deep		Qty
41PB1618-1D18			41PB16184-1D18		
41PB1618-1D24			41PB16184-1D24		
41PB18-1D18			41PB184-1D18		
41PB18-1D24			41PB184-1D24		
41PB18-1D30			41PB184-1D30		
41PB1824-1D18			41PB18244-1D18		
41PB1824-1D24			41PB18244-1D24		
41PD1824-1D30			41PD18244-1D30		
41PB24-1D24			41PB244-1D24		
41PB24-1D30			41PB244-1D30		
41PB3024-1D30			41PB30244-1D30		
41PB3024-1D36			41PB30244-1D36		

**FEATURES:**

- \* Standard 14 Gauge  
Type 300 stainless steel with # 4 polish, satin finish
- \* 12" & 14" Deep Bowls
- \* All Corners, both vertical and horizontal, coved at 5/8" radius
- \* Bottoms of bowls formed for drainage to 3-1/2" diameter die stamped opening
- \* Full length **10" High Boxed Backsplash**, with 2" return to wall at 45 degree and 3/4" turned down rear lip
- \* 1-1/8" Faucet Holes in Backsplash
- \* Solid Stainless Steel front panel, type 300 stainless steel with # 4 polish, satin finish
- \* All outside corners of assembly are Bullnosed to provide safe, clean and polished edge
- \* Standard legs 1-5/8" diameter, 16 gauge stainless steel
- \* Legs located directly under sink bowls, providing increased stability and maximum weight support

**Must specify Left or Right  
Drainboards**

**Bowl Sizes:**

16" X 18"	18" X 24"
16" X 20"	24" X 24"
18" X 18"	30" X 24"

**CONSTRUCTION:**

- Top: Stainless Steel Sinks are TIG welded, Exposed welds are polished to match adjacent surface.  
Bases: Stainless Steel Bases, Standard K.D.

**MATERIAL:**

- Bowls & 14 gauge stainless Steel  
Top: Type 300 stainless steel with # 4 polish, satin finish  
Legs: 1 5/8" Round O.D., 16 gauge stainless steel  
Bracing: 1 1/4" Round O.D., 16 gauge stainless steel  
Gussets: Stainless Steel  
Feet: 1" adjustable stainless steel bullet feet

**OPTIONAL  
ACCESSORIES**

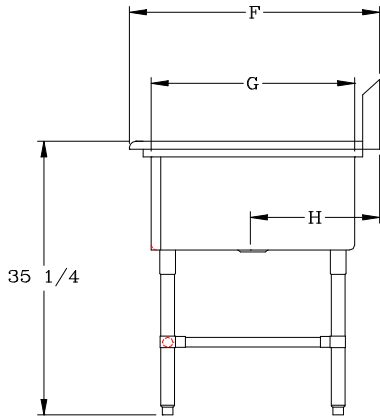
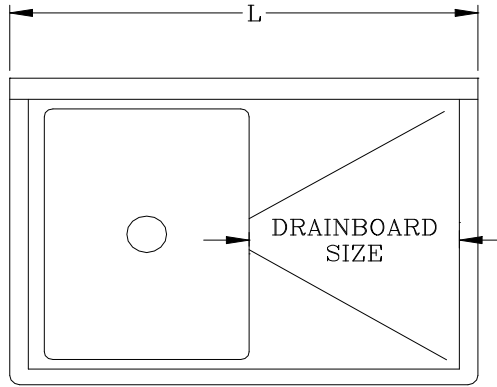
	Qty
END SPLASHS, RIGHT , LEFT or BOTH	
FAUCETS	
ADD-A-FAUCETS	
PRE-RINSE UNITS	
LEVEL WASTE	
OVERSHELVES	
POT RACK	

**John Boos & Co**

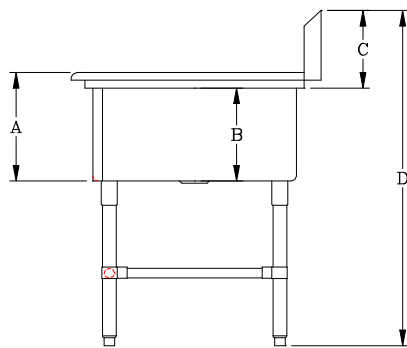
3601 S. Banker Street - Effingham, IL 62401  
Phone: 217-347-7701 - Fax: 217-347-7705  
Email: sales@johnboos.com - Web-site: www. johnboos.com

## DETAILED SPECIFICATIONS

BOWLS	F	G	H
16 X 18	23-1/2"	18"	11-15/16"
16 X 20	25-1/2"	20"	12-15/16"
18 X 18	23-1/2"	18"	11-15/16"
18 X 24	29-1/2"	24"	14-15/16"
24 X 24	29-1/2"	24"	14-15/16"
30 X 24	29-1/2"	24"	14-15/16"



14 GAUGE * 12" DEEP				
MODEL	BOWL SIZE	DIMENSIONS	DB	WT.
41PB1618-1D18	16 X 18 X 12	38-3/16" X 23-1/2"	18"	200
41PB1618-1D24	16 X 18 X 12	44-3/16" X 23-1/2"	24"	215
41PB18-1D18	18 X 18 X 12	40-3/16" X 23-1/2"	18"	209
41PB18-1D24	18 X 18 X 12	46-3/16" X 23-1/2"	24"	223
41PB18-1D30	18 X 18 X 12	52-3/16" X 23-1/2"	30"	236
41PB1824-1D18	18 X 24 X 12	40-3/16" X 29-1/2"	18"	228
41PB1824-1D24	18 X 24 X 12	46-3-16" X 29-1/2"	24"	245
41PB1824-1D30	18 X 24 X 12	52-3/16" X 29-1/2"	30"	259
41PB24-1D24	24 X 24 X 12	52-3/16" X 29-1/2"	24"	268
41PB24-1D30	24 X 24 X 12	58-3/16" X 29-1/2"	30"	287
41PB3024-1D30	30 X 24 X 12	64-3/16" X 29-1/2"	30"	301
41PB3024-1D36	30 X 24 X 12	70-3/16" X 29-1/2"	36"	314



	12" Deep	14" Deep
<b>A</b>	14"	16"
<b>B</b>	12"	14"
<b>C</b>	10"	10"
<b>D</b>	43"	43"

14 GAUGE * 14" DEEP				
MODEL	BOWL SIZE	DIMENSIONS	DB	WT.
41PB16184-1D18	16 X 18 X 14	38-3/16" X 23-1/2"	18"	203
41PB16184-1D24	18 X 18 X 14	44-3/16" X 23-1/2"	24"	218
41PB184-1D18	18 X 24 X 14	40-3/16" X 23-1/2"	18"	212
41PB184-1D24	24 X 24 X 14	46-3/16" X 23-1/2"	24"	226
41PB184-1D30	18 X 18 X 14	52-3/16" X 23-1/2"	30"	239
41PB18244-1D18	18 X 24 X 14	40-3/16" X 29-1/2"	18"	231
41PB18244-1D24	18 X 24 X 14	46-3-16" X 29-1/2"	24"	248
41PB18244-1D30	18 X 24 X 14	52-3/16" X 29-1/2"	30"	262
41PB244-1D24	24 X 24 X 14	52-3/16" X 29-1/2"	24"	271
41PB244-1D30	24 X 24 X 14	58-3/16" X 29-1/2"	30"	290
41PB30244-1D30	30 X 24 X 14	64-3/16" X 29-1/2"	30"	304
41PB30244-1D36	30 X 24 X 14	70-3/16" X 29-1/2"	36"	317

All dimensions are typical.

Tolerance +/- .500".

All units ship unassembled for reduced shipping cost.

### John Boos & Co

3601 S. Banker Str - Effingham, IL 62401 Phone: 217-347-7701 - Fax: 217-347-7705

Email: sales@johnboos.com - Web-site: www.johnboos.com



July 2013

John Boos is constantly engaged in a program of improving products and therefore reserves the right to change specification without prior notice