



"1PB" Pro-Bowl Sinks - 14 Gauge

One Compartment Sinks
w/ Stainless Steel Base & Bracing



AUTOQUOTES



STANDARD: 14 ga. 300 S/S Welded Bowls
14 ga. 300 S/S Deck and Splash
10" Back Splash
12" or 14" Deep Bowls

FEATURES:

- * Standard 14 Gauge
Type 300 stainless steel with # 4 polish, satin finish
- * 12" & 14" Deep Bowls
- * All Corners, both vertical and horizontal, covered at 5/8" radius
- * Bottoms of bowls formed for drainage to 3-1/2" diameter die stamped opening
- * Full length **10" High Boxed Backsplash**, with 2" return to wall at 45 degree and 3/4" turned down rear lip
- * 1-1/8" Faucet Holes in Backsplash
- * Solid Stainless Steel front panel, type 300 stainless steel with # 4 polish, satin finish
- * All outside corners of assembly are Bullnosed to provide safe, clean and polished edge
- * Standard legs 1-5/8" diameter, 16 gauge stainless steel
- * Legs located directly under sink bowls, providing increased stability and maximum weight support

| 14 Gauge 12" Deep | | Qty | 14 Gauge 14" Deep | | Qty |
|----------------------|--|-----|----------------------|--|-----|
| 41PB1618 | | | 41PB16184 | | |
| 41PB18 | | | 41PB184 | | |
| 41PB1824 | | | 41PB18244 | | |
| 41PB24 | | | 41PB244 | | |
| 41PB3024 | | | 41PB30244 | | |

Bowl Sizes:

| | |
|-----------|-----------|
| 16" X 18" | 18" X 24" |
| 16" X 20" | 24" X 24" |
| 18" X 18" | 30" X 24" |

CONSTRUCTION:

- Top: Stainless Steel Sinks are TIG welded, Exposed welds are polished to match adjacent surface.
- Bases: Stainless Steel Bases, Standard K.D.

MATERIAL:

- Bowls & 14 gauge Stainless Steel
- Top: Type 300 stainless steel with # 4 polish, satin finish
- Legs: 1 5/8" Round O.D., 16 gauge stainless steel
- Bracing: 1 1/4" Round O.D., 16 gauge stainless steel
- Gussets: Stainless Steel
- Feet: 1" adjustable stainless steel bullet feet

OPTIONAL ACCESSORIES

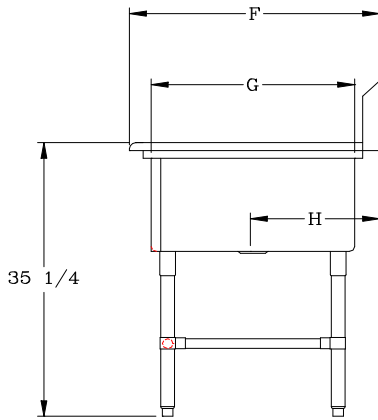
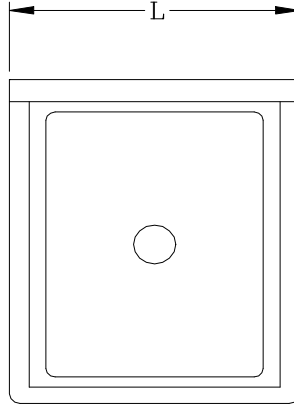
| | Qty |
|-----------------------------------|-----|
| END SPLASHS, RIGHT , LEFT or BOTH | |
| FAUCETS | |
| ADD-A-FAUCETS | |
| PRE-RINSE UNITS | |
| LEVEL WASTE | |
| OVERSHELVES | |
| POT RACK | |

John Boos & Co

3601 S. Banker Street - Effingham, IL 62401
Phone: 217-347-7701 - Fax: 217-347-7705
Email: sales@johnboos.com - Web-site: www. johnboos.com

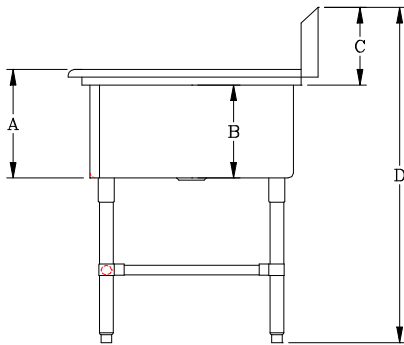
DETAILED SPECIFICATIONS

| BOWLS | F | G | H |
|---------|---------|-----|-----------|
| 16 X 18 | 23-1/2" | 18" | 11-15/16" |
| 16 X 20 | 25-1/2" | 20" | 12-15/16" |
| 18 X 18 | 23-1/2" | 18" | 11-15/16" |
| 18 X 24 | 29-1/2" | 24" | 14-15/16" |
| 24 X 24 | 29-1/2" | 24" | 14-15/16" |
| 30 X 24 | 29-1/2" | 24" | 14-15/16" |



| 14 GAUGE * 12" DEEP | | | | |
|---------------------|--------------|-------------------|----|-----|
| MODEL | BOWL SIZE | DIMENSIONS | DB | WT. |
| 41PB1618 | 16 X 18 X 12 | 21-1/8" X 23-1/2" | - | 62 |
| 41PB18 | 18 X 18 X 12 | 23-1/8" X 23-1/2" | - | 164 |
| 41PB1824 | 18 X 24 X 12 | 23-1/8" X 29-1/2" | - | 186 |
| 41PB24 | 24 X 24 X 12 | 29-1/8" X 29-1/2" | - | 190 |
| 41PB3024 | 30 X 24 X 12 | 35-1/8" X 29-1/2" | - | 227 |

| | 12" Deep | 14" Deep |
|----------|----------|----------|
| A | 14" | 16" |
| B | 12" | 14" |
| C | 10" | 10" |
| D | 43" | 43" |



| 14 GAUGE * 14" DEEP | | | | |
|---------------------|--------------|-------------------|----|-----|
| MODEL | BOWL SIZE | DIMENSIONS | DB | WT. |
| 41PB16184 | 16 X 18 X 14 | 21-18" X 23-1/2" | - | 65 |
| 41PB18244 | 18 X 18 X 14 | 23-1/8" X 23-1/2" | - | 167 |
| 41PB18244 | 18 X 24 X 14 | 23-1/8" X 29-1/2" | - | 189 |
| 41PB244 | 24 X 24 X 14 | 29-1/2" X 29-1/2" | - | 193 |
| 41PB30244 | 30 X 24 X 14 | 35-1/8" X 29-1/2" | - | 230 |

All dimensions are typical.

Tolerance +/- .500".

All units ship unassembled for reduced shipping cost.

John Boos & Co

3601 S. Banker Str - Effingham, IL 62401 Phone: 217-347-7701 - Fax: 217-347-7705

Email: sales@johnboos.com - Web-site: www.johnboos.com



July 2013

John Boos is constantly engaged in a program of improving products and therefore reserves the right to change specification without prior notice