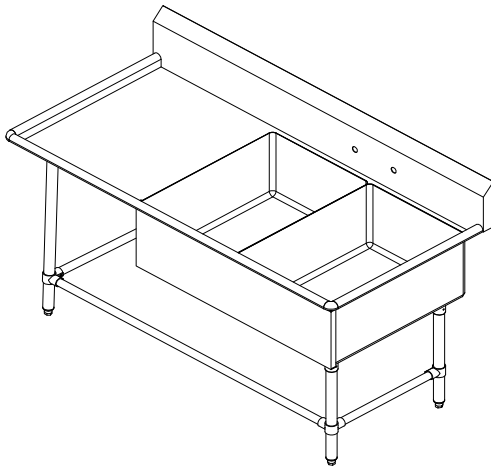




# "2PB2028-1DB" Pro-Bowl Sinks - 14 Gauge

Two Compartment Sinks w/ 1 Drainboard  
w/ Stainless Steel Base & Bracing



**AUTOQUOTES**



**STANDARD:** 14 ga. 300 S/S welded Bowls  
14 ga. 300 S/S Drainboard and Splash  
10" Back Splash  
12" or 14" Deep Bowls

14 GAUGE 12" Deep		Qty	14 GAUGE 14" Deep		Qty
42PB2028-1D20			42PB20284-1D20		
42PB2028-1D24			42PB20248-1D24		
42PB2028-1D30			42PB20248-1D30		

**FEATURES:**

- \* Standard 14 Gauge  
Type 300 stainless steel with # 4 polish, satin finish
- \* 12" & 14" Deep Bowls
- \* All Corners, both vertical and horizontal, covered at 5/8" radius
- \* Bottoms of bowls formed for drainage to 3-1/2" diameter die stamped opening
- \* Full length **10" High Boxed Backsplash**, with 2" return to wall at 45 degree and 3/4" turned down rear lip
- \* 1-1/8" Faucet Holes in Backsplash
- \* Solid Stainless Steel front panel, type 300 stainless steel with # 4 polish, satin finish
- \* All outside corners of assembly are Bullnosed to provide safe, clean and polished edge
- \* Standard legs 1-5/8" diameter, 16 gauge stainless steel
- \* Legs located directly under sink bowls, providing increased stability and maximum weight support

**Must specify Left or Right  
Drainboards**

**Bowl Size:**

20" X 28"

**CONSTRUCTION:**

- Top: Stainless Steel Sinks are TIG welded, Exposed welds are polished to match adjacent surface.  
Bases: Stainless Steel Bases, Standard K.D.

**OPTIONAL  
ACCESSORIES**

**MATERIAL:**

- Bowls & 14 gauge stainless Steel  
Top: Type 300 stainless steel with # 4 polish, satin finish  
Legs: 1 5/8" Round O.D., 16 gauge stainless steel  
Bracing: 1 1/4" Round O.D., 16 gauge stainless steel  
Gussets: Stainless Steel  
Feet: 1" adjustable stainless steel bullet feet

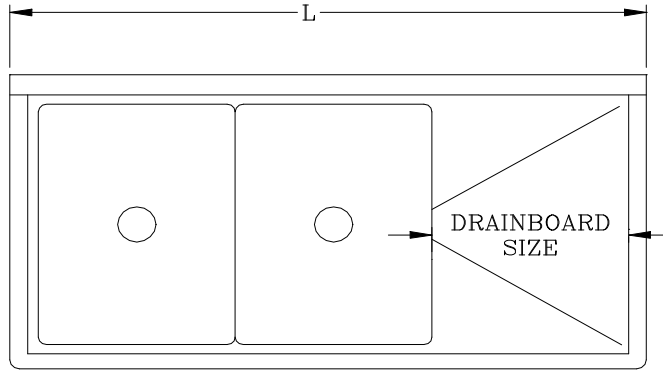
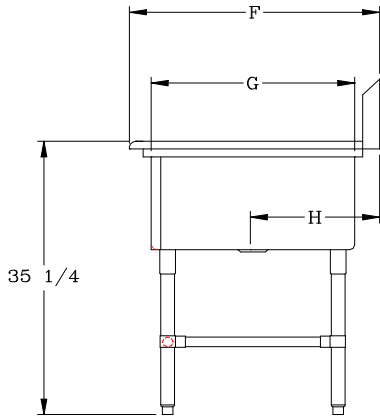
	Qty
END SPLASHS, RIGHT , LEFT or BOTH	
FAUCETS	
ADD-A-FAUCETS	
PRE-RINSE UNITS	
LEVEL WASTE	
OVERSHELVES	
POT RACK	

**John Boos & Co**

3601 S. Banker Street - Effingham, IL 62401  
Phone: 217-347-7701 - Fax: 217-347-7705  
Email: sales@johnboos.com - Web-site: www. johnboos.com

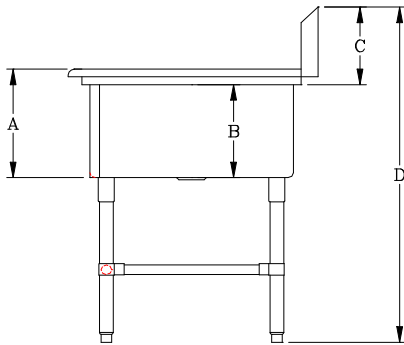
## DETAILED SPECIFICATIONS

BOWLS	F	G	H
20 X 28	33-1/2"	28"	16-15/16"



14 GAUGE * 12" DEEP				
MODEL	BOWL SIZE	DIMENSIONS	DB	WT.
42PB2028-1D20	20 X 28 X 12	64-3/16" X 33-1/2"	20"	447
42PB2028-1D24	20 X 28 X 12	68-3/16" X 33-1/2"	24"	458
42PB2028-1D30	20 X 28 X 12	74-3/16" X 33-1/2"	30"	473

	12" Deep	14" Deep
<b>A</b>	14"	16"
<b>B</b>	12"	14"
<b>C</b>	10"	10"
<b>D</b>	43"	43"



14 GAUGE * 14" DEEP				
MODEL	BOWL SIZE	DIMENSIONS	DB	WT.
42PB20284-1D20	20 X 28 X 14	64-3/16" X 33-1/2"	20"	453
42PB20284-1D24	20 X 28 X 14	68-3/16" X 33-1/2"	24"	464
42PB20284-1D30	20 X 28 X 14	74-3/16" X 33-1/2"	30"	479

All dimensions are typical.  
Tolerance +/- .500".  
All units ship unassembled for reduced shipping cost.

### John Boos & Co

3601 S. Banker Str - Effingham, IL 62401 Phone: 217-347-7701 - Fax: 217-347-7705  
Email: sales@johnboos.com - Web-site: www.johnboos.com



July 2013

John Boos is constantly engaged in a program of improving products and therefore reserves the right to change specification without prior notice