



"2PB-1DB" Pro-Bowl Sinks - 14 Gauge

Two Compartment Sinks w/ 1 Drainboard
w/ Stainless Steel Base & Bracing



AUTOQUOTES



STANDARD: 14 ga. 300 S/S welded Bowls
14 ga. 300 S/S Drainboard and Splash
10" Back Splash
12" or 14" Deep Bowls

| 14 GAUGE 12" Deep | | Qty | 14 GAUGE 14" Deep | | Qty |
|----------------------|--|-----|----------------------|--|-----|
| 42PB1618-1D18 | | | 42PB16184-1D18 | | |
| 42PB1618-1D24 | | | 42PB16184-1D24 | | |
| 42PB18-1D18 | | | 42PB184-1D18 | | |
| 42PB18-1D24 | | | 42PB184-1D24 | | |
| 42PB18-1D30 | | | 42PB184-1D30 | | |
| 42PB1824-1D18 | | | 42PB18244-1D18 | | |
| 42PB1824-1D24 | | | 42PB18244-1D24 | | |
| 42PD1824-1D30 | | | 42PD18244-1D30 | | |
| 42PB24-1D24 | | | 42PB244-1D24 | | |
| 42PB24-1D30 | | | 42PB244-1D30 | | |
| 42PB3024-1D30 | | | 42PB30244-1D30 | | |
| 42PB3024-1D36 | | | 42PB30244-1D36 | | |

FEATURES:

- * Standard 14 Gauge
Type 300 stainless steel with # 4 polish, satin finish
- * 12" & 14" Deep Bowls
- * All Corners, both vertical and horizontal, covered at 5/8" radius
- * Bottoms of bowls formed for drainage to 3-1/2" diameter die stamped opening
- * Full length **10" High Boxed Backsplash**, with 2" return to wall at 45 degree and 3/4" turned down rear lip
- * 1-1/8" Faucet Holes in Backsplash
- * Solid Stainless Steel front panel, type 300 stainless steel with # 4 polish, satin finish
- * All outside corners of assembly are Bullnosed to provide safe, clean and polished edge
- * Standard legs 1-5/8" diameter, 16 gauge stainless steel
- * Legs located directly under sink bowls, providing increased stability and maximum weight support
- * 36" Drainboards are standard w/ additional stainless steel legs

**Must specify Left or Right
Drainboards**

Bowl Sizes:

| | |
|-----------|-----------|
| 16" X 18" | 18" X 24" |
| 16" X 20" | 24" X 24" |
| 18" X 18" | 30" X 24" |

CONSTRUCTION:

- Top: Stainless Steel Sinks are TIG welded, Exposed welds are polished to match adjacent surface.
Bases: Stainless Steel Bases, Standard K.D.

**OPTIONAL
ACCESSORIES**

| | Qty |
|-----------------------------------|-----|
| END SPLASHS, RIGHT , LEFT or BOTH | |
| FAUCETS | |
| ADD-A-FAUCETS | |
| PRE-RINSE UNITS | |
| LEVEL WASTE | |
| OVERSHELVES | |
| POT RACK | |

MATERIAL:

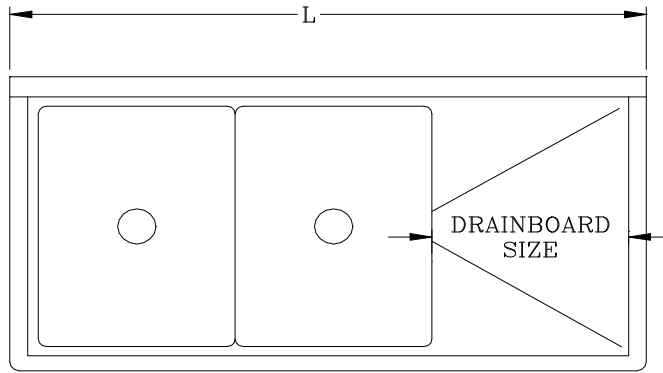
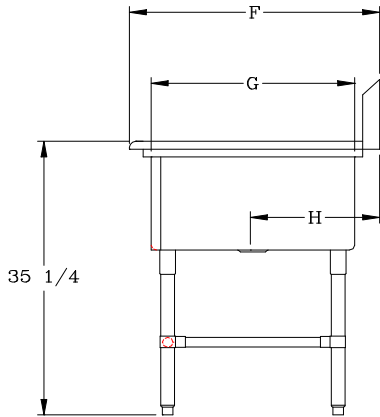
- Bowls & 14 gauge stainless Steel
Top: Type 300 stainless steel with # 4 polish, satin finish
Legs: 1 5/8" Round O.D., 16 gauge stainless steel
Bracing: 1 1/4" Round O.D., 16 gauge stainless steel
Gussets: Stainless Steel
Feet: 1" adjustable stainless steel bullet feet

John Boos & Co

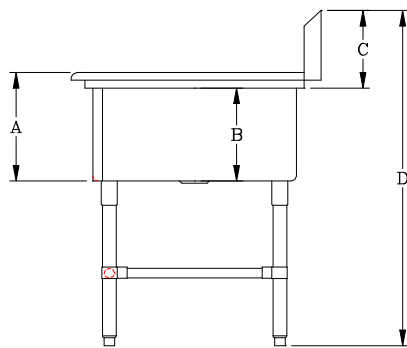
3601 S. Banker Street - Effingham, IL 62401
Phone: 217-347-7701 - Fax: 217-347-7705
Email: sales@johnboos.com - Web-site: www. johnboos.com

DETAILED SPECIFICATIONS

| BOWLS | F | G | H |
|---------|---------|-----|-----------|
| 16 X 18 | 23-1/2" | 18" | 11-15/16" |
| 16 X 20 | 25-1/2" | 20" | 12-15/16" |
| 18 X 18 | 23-1/2" | 18" | 11-15/16" |
| 18 X 24 | 29-1/2" | 24" | 14-15/16" |
| 24 X 24 | 29-1/2" | 24" | 14-15/16" |
| 30 X 24 | 29-1/2" | 24" | 14-15/16" |



| 14 GAUGE * 12" DEEP | | | | |
|---------------------|--------------|---------------------|-----|-----|
| MODEL | BOWL SIZE | DIMENSIONS | DB | WT. |
| 42PB1618-1D18 | 16 X 18 X 12 | 54-3/16" X 23-1/2" | 18" | 283 |
| 42PB1618-1D24 | 16 X 18 X 12 | 60-3/16" X 23-1/2" | 24" | 311 |
| 42PB18-1D18 | 18 X 18 X 12 | 58-3/16" X 23-1/2" | 18" | 305 |
| 42PB18-1D24 | 18 X 18 X 12 | 64-3/16" X 23-1/2" | 24" | 322 |
| 42PB18-1D30 | 18 X 18 X 12 | 76-3/16" X 23-1/2" | 30" | 333 |
| 42PB1824-1D18 | 18 X 24 X 12 | 58-3/16" X 29-1/2" | 18" | 339 |
| 42PB1824-1D24 | 18 X 24 X 12 | 64-3-16" X 29-1/2" | 24" | 356 |
| 42PB1824-1D30 | 18 X 24 X 12 | 70-3/16" X 29-1/2" | 30" | 373 |
| 42PB24-1D24 | 24 X 24 X 12 | 76-3/16" X 29-1/2" | 24" | 401 |
| 42PB24-1D30 | 24 X 24 X 12 | 82-3/16" X 29-1/2" | 30" | 418 |
| 42PB3024-1D30 | 30 X 24 X 12 | 94-3/16" X 29-1/2" | 30" | 435 |
| 42PB3024-1D36 | 30 X 24 X 12 | 100-3/16" X 29-1/2" | 36" | 452 |



| | 12" Deep | 14" Deep |
|----------|----------|----------|
| A | 14" | 16" |
| B | 12" | 14" |
| C | 10" | 10" |
| D | 43" | 43" |

| 14 GAUGE * 14" DEEP | | | | |
|---------------------|--------------|---------------------|-----|-----|
| MODEL | BOWL SIZE | DIMENSIONS | DB | WT. |
| 42PB16184-1D18 | 16 X 18 X 14 | 54-3/16" X 23-1/2" | 18" | 262 |
| 42PB16184-1D24 | 18 X 18 X 14 | 60-3/16" X 23-1/2" | 24" | 287 |
| 42PB184-1D18 | 18 X 24 X 14 | 58-3/16" X 23-1/2" | 18" | 282 |
| 42PB184-1D24 | 24 X 24 X 14 | 64-3/16" X 23-1/2" | 24" | 297 |
| 42PB184-1D30 | 18 X 18 X 14 | 76-3/16" X 23-1/2" | 30" | 307 |
| 42PB18244-1D18 | 18 X 24 X 14 | 58-3/16" X 29-1/2" | 18" | 312 |
| 42PB18244-1D24 | 18 X 24 X 14 | 64-3-16" X 29-1/2" | 24" | 327 |
| 42PB18244-1D30 | 18 X 24 X 14 | 70-3/16" X 29-1/2" | 30" | 342 |
| 42PB244-1D24 | 24 X 24 X 14 | 76-3/16" X 29-1/2" | 24" | 367 |
| 42PB244-1D30 | 24 X 24 X 14 | 82-3/16" X 29-1/2" | 30" | 382 |
| 42PB30244-1D30 | 30 X 24 X 14 | 94-3/16" X 29-1/2" | 30" | 397 |
| 42PB30244-1D36 | 30 X 24 X 14 | 100-3/16" X 29-1/2" | 36" | 412 |

All dimensions are typical.
Tolerance +/- .500".

All units ship unassembled for reduced shipping cost.

John Boos & Co

3601 S. Banker Str - Effingham, IL 62401 Phone: 217-347-7701 - Fax: 217-347-7705

Email: sales@johnboos.com - Web-site: www.johnboos.com



July 2013

John Boos is constantly engaged in a program of improving products and therefore reserves the right to change specification without prior notice