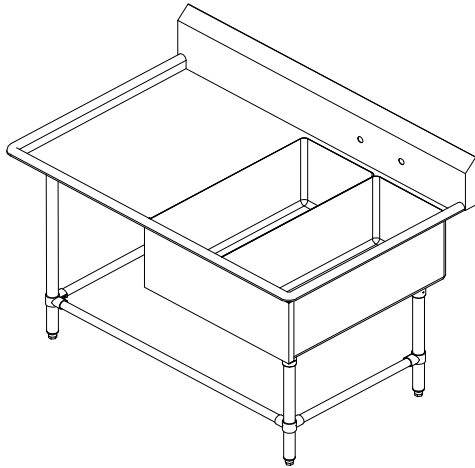




"2PBPS1431-1DB" Pro-Bowl Sinks - 14 Gauge

Two Compartment Sinks w/ 1 Drainboard
w/ Stainless Steel Base & Bracing



AUTOQUOTES



STANDARD: 14 ga. 300 S/S welded Bowls
14 ga. 300 S/S Drainboard and Splash
10" Back Splash
12" or 14" Deep Bowls

14 GAUGE 12" Deep		Qty	14 GAUGE 14" Deep		Qty
42PBPS1431-1D18			42PBPS14314-1D18		
42PBPS1431-1D24			42PBPS14314-1D24		
42PBPS1431-1D30			42PBPS14314-1D30		

FEATURES:

- * Standard 14 Gauge
Type 300 stainless steel with # 4 polish, satin finish
- * 12" & 14" Deep Bowls
- * All Corners, both vertical and horizontal, coved at 5/8" radius
- * Bottoms of bowls formed for drainage to 3-1/2" diameter die stamped opening
- * Full length **10" High Boxed Backsplash**, with 2" return to wall at 45 degree and 3/4" turned down rear lip
- * 1-1/8" Faucet Holes in Backsplash
- * Solid Stainless Steel front panel, type 300 stainless steel with # 4 polish, satin finish
- * All outside corners of assembly are Bullnosed to provide safe, clean and polished edge
- * Standard legs 1-5/8" diameter, 16 gauge stainless steel
- * Legs located directly under sink bowls, providing increased stability and maximum weight support

**Must specify Left or Right
Drainboards**

Bowl Size:

14" X 31"

CONSTRUCTION:

Top: Stainless Steel Sinks are TIG welded, Exposed welds are polished to match adjacent surface.
Bases: Stainless Steel Bases, Standard K.D.

MATERIAL:

Bowls & 14 gauge stainless Steel
Top: Type 300 stainless steel with # 4 polish, satin finish
Legs: 1 5/8" Round O.D., 16 gauge stainless steel
Bracing: 1 1/4" Round O.D., 16 gauge stainless steel
Gussets: Stainless Steel
Feet: 1" adjustable stainless steel bullet feet

**OPTIONAL
ACCESSORIES**

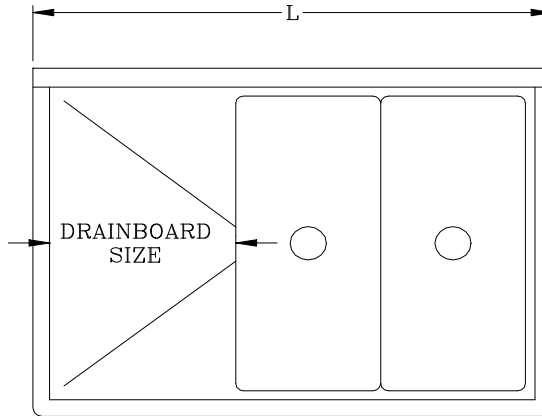
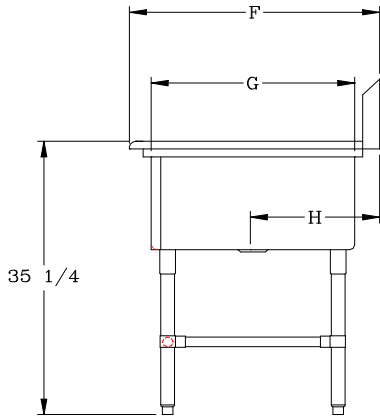
	Qty
END SPLASHS, RIGHT , LEFT or BOTH	
FAUCETS	
ADD-A-FAUCETS	
PRE-RINSE UNITS	
LEVEL WASTE	
OVERSHELVES	
POT RACK	

John Boos & Co

3601 S. Baker Street - Effingham, IL 62401
Phone: 217-347-7701 - Fax: 217-347-7705
Email: sales@johnboos.com - Web-site: www. johnboos.com

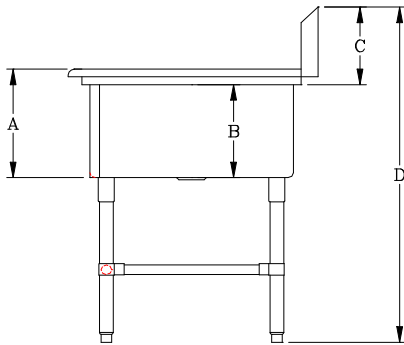
DETAILED SPECIFICATIONS

BOWLS	F	G	H
14 X 31	36-1/2"	31"	18-7/16"



14 GAUGE * 12" DEEP				
MODEL	BOWL SIZE	DIMENSIONS	DB	WT.
42PBPS1431-1D18	14 X 31 X 12	50-3/16" X 36-1/2"	18"	345
42PBPS1431-1D24	14 X 31 X 12	56-3/16" X 36-1/2"	24"	356
42PBPS1431-1D30	14 X 31 X 12	62-3/16" X 36-1/2"	30"	376

	12" Deep	14" Deep
A	14"	16"
B	12"	14"
C	10"	10"
D	43"	43"



14 GAUGE * 14" DEEP				
MODEL	BOWL SIZE	DIMENSIONS	DB	WT.
42PBPS14314-1D18	14 X 31 X 14	50-3/16" X 36-1/2"	18"	351
42PBPS14314-1D24	14 X 31 X 14	56-3/16" X 36-1/2"	24"	362
42PBPS14314-1D30	14 X 31 X 14	62-3/16" X 36-1/2"	30"	382

All dimensions are typical.
 Tolerance +/- .500".
 All units ship unassembled for reduced shipping cost.

John Boos & Co

3601 S. Banker Str - Effingham, IL 62401 Phone: 217-347-7701 - Fax: 217-347-7705
 Email: sales@johnboos.com - Web-site: www.johnboos.com



July 2013

John Boos is constantly engaged in a program of improving products and therefore reserves the right to change specification without prior notice