



# "2PBPS1431-2DB" Pro-Bowl Sinks - 14 Gauge

Two Compartment Sinks w/ 2 Drainboard  
w/ Stainless Steel Base & Bracing



AUTOQUOTES



**STANDARD:** 14 ga. 300 S/S welded Bowls  
14 ga. 300 S/S Drainboard and Splash  
10" Back Splash  
12" or 14" Deep Bowls

| 14 GAUGE<br>12" Deep |     | 14 GAUGE<br>14" Deep |     |
|----------------------|-----|----------------------|-----|
|                      | Qty |                      | Qty |
| 42PBPS1431-2D18      |     | 42PBPS14314-2D18     |     |
| 42PBPS1431-2D24      |     | 42PBPS14314-2D24     |     |
| 42PBPS1431-2D30      |     | 42PBPS14314-2D30     |     |

**Must specify Left or Right  
Drainboards**

**Bowl Size:**

14" X 31"

**FEATURES:**

- \* Standard 14 Gauge  
Type 300 stainless steel with # 4 polish, satin finish
- \* 12" & 14" Deep Bowls
- \* All Corners, both vertical and horizontal, covered at 5/8" radius
- \* Bottoms of bowls formed for drainage to 3-1/2" diameter die stamped opening
- \* Full length **10" High Boxed Backsplash**, with 2" return to wall at 45 degree and 3/4" turned down rear lip
- \* 1-1/8" Faucet Holes in Backsplash
- \* Solid Stainless Steel front panel, type 300 stainless steel with # 4 polish, satin finish
- \* All outside corners of assembly are Bullnosed to provide safe, clean and polished edge
- \* Standard legs 1-5/8" diameter, 16 gauge stainless steel
- \* Legs located directly under sink bowls, providing increased stability and maximum weight support

**CONSTRUCTION:**

Top: Stainless Steel Sinks are TIG welded, Exposed welds are polished to match adjacent surface.  
Bases: Stainless Steel Bases, Standard K.D.

**MATERIAL:**

Bowls & 14 gauge stainless Steel  
Top: Type 300 stainless steel with # 4 polish, satin finish  
Legs: 1 5/8" Round O.D., 16 gauge stainless steel  
Bracing: 1 1/4" Round O.D., 16 gauge stainless steel  
Gussets: Stainless Steel  
Feet: 1" adjustable stainless steel bullet feet

**OPTIONAL  
ACCESSORIES**

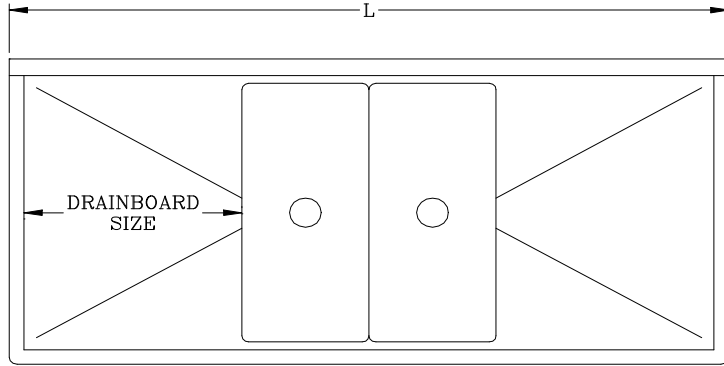
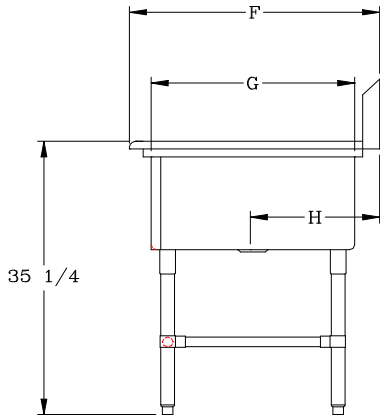
|                                   | Qty |
|-----------------------------------|-----|
| END SPLASHS, RIGHT , LEFT or BOTH |     |
| FAUCETS                           |     |
| ADD-A-FAUCETS                     |     |
| PRE-RINSE UNITS                   |     |
| LEVEL WASTE                       |     |
| OVERSHELVES                       |     |
| POT RACK                          |     |

**John Boos & Co**

3601 S. Banker Street - Effingham, IL 62401  
Phone: 217-347-7701 - Fax: 217-347-7705  
Email: sales@johnboos.com - Web-site: www. johnboos.com

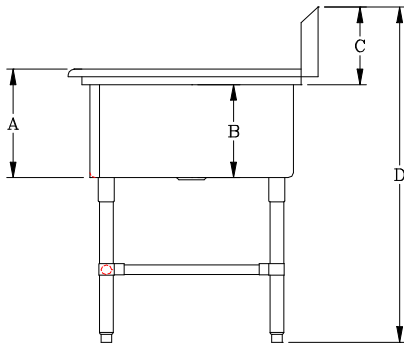
## DETAILED SPECIFICATIONS

| BOWLS   | F       | G   | H        |
|---------|---------|-----|----------|
| 14 X 31 | 36-1/2" | 31" | 18-7/16" |



| 14 GAUGE * 12" DEEP |              |                    |     |     |
|---------------------|--------------|--------------------|-----|-----|
| MODEL               | BOWL SIZE    | DIMENSIONS         | DB  | WT. |
| 42PBPS1431-2D18     | 14 X 31 X 12 | 67-3/16" X 36-1/2" | 18" | 345 |
| 42PBPS1431-2D24     | 14 X 31 X 12 | 79-3/16" X 36-1/2" | 24" | 423 |
| 42PBPS1431-2D30     | 14 X 31 X 12 | 91-3/16" X 36-1/2" | 30" | 455 |

|          | 12" Deep | 14" Deep |
|----------|----------|----------|
| <b>A</b> | 14"      | 16"      |
| <b>B</b> | 12"      | 14"      |
| <b>C</b> | 10"      | 10"      |
| <b>D</b> | 43"      | 43"      |



| 14 GAUGE * 14" DEEP |              |                    |     |     |
|---------------------|--------------|--------------------|-----|-----|
| MODEL               | BOWL SIZE    | DIMENSIONS         | DB  | WT. |
| 42PBPS14314-2D18    | 14 X 31 X 14 | 67-3/16" X 36-1/2" | 18" | 351 |
| 42PBPS14314-2D24    | 14 X 31 X 14 | 79-3/16" X 36-1/2" | 24" | 429 |
| 42PBPS14314-2D30    | 14 X 31 X 14 | 91-3/16" X 36-1/2" | 30" | 461 |

All dimensions are typical.  
Tolerance +/- .500".  
All units ship unassembled for reduced shipping cost.

### John Boos & Co

3601 S. Banker Str - Effingham, IL 62401 Phone: 217-347-7701 - Fax: 217-347-7705  
Email: sales@johnboos.com - Web-site: www.johnboos.com



July 2013

John Boos is constantly engaged in a program of improving products and therefore reserves the right to change specification without prior notice