



# "4PB-1DB" Pro-Bowl Sinks - 14 Gauge

Three Compartment Sinks w/ 1 Drainboard  
w/ Stainless Steel Base & Bracing



AUTOQUOTES



**STANDARD:** 14 ga. 300 S/S welded Bowls  
14 ga. 300 S/S Drainboard and Splash  
10" Back Splash  
12" or 14" Deep Bowls

| 14 GAUGE<br>12" Deep |  | Qty | 14 GAUGE<br>14" Deep |  | Qty |
|----------------------|--|-----|----------------------|--|-----|
| 44PB1618-1D18        |  |     | 44PB16184-1D18       |  |     |
| 44PB1618-1D24        |  |     | 44PB16184-1D24       |  |     |
| 44PB18-1D18          |  |     | 44PB184-1D18         |  |     |
| 44PB18-1D24          |  |     | 44PB184-1D24         |  |     |
| 44PB18-1D30          |  |     | 44PB184-1D30         |  |     |
| 44PB1824-1D18        |  |     | 44PB18244-1D18       |  |     |
| 44PB1824-1D24        |  |     | 44PB18244-1D24       |  |     |
| 44PD1824-1D30        |  |     | 44PD18244-1D30       |  |     |
| 44PB24-1D24          |  |     | 44PB244-1D24         |  |     |
| 44PB24-1D30          |  |     | 44PB244-1D30         |  |     |
| 44PB3024-1D30        |  |     | 44PB30244-1D30       |  |     |
| 44PB3024-1D36        |  |     | 44PB30244-1D36       |  |     |

**FEATURES:**

- \* Standard 14 Gauge  
Type 300 stainless steel with # 4 polish, satin finish
- \* 12" & 14" Deep Bowls
- \* All Corners, both vertical and horizontal, covered at 5/8" radius
- \* Bottoms of bowls formed for drainage to 3-1/2" diameter die stamped opening
- \* Full length **10" High Boxed Backsplash**, with 2" return to wall at 45 degree and 3/4" turned down rear lip
- \* 1-1/8" Faucet Holes in Backsplash
- \* Solid Stainless Steel front panel, type 300 stainless steel with # 4 polish, satin finish
- \* All outside corners of assembly are Bullnosed to provide safe, clean and polished edge
- \* Standard legs 1-5/8" diameter, 16 gauge stainless steel
- \* Legs located directly under sink bowls, providing increased stability and maximum weight support
- \* 36" Drainboards are standard w/ additional stainless steel legs

**Must specify Left or Right  
Drainboards**

**Bowl Sizes:**

|           |           |
|-----------|-----------|
| 16" X 18" | 18" X 24" |
| 16" X 20" | 24" X 24" |
| 18" X 18" | 30" X 24" |

**CONSTRUCTION:**

Top: Stainless Steel Sinks are TIG welded, Exposed welds are polished to match adjacent surface.  
Bases: Stainless Steel Bases, Standard K.D.

**MATERIAL:**

Bowls & 14 gauge stainless Steel  
Top: Type 300 stainless steel with # 4 polish, satin finish  
Legs: 1 5/8" Round O.D., 16 gauge stainless steel  
Bracing: 1 1/4" Round O.D., 16 gauge stainless steel  
Gussets: Stainless Steel  
Feet: 1" adjustable stainless steel bullet feet

**OPTIONAL  
ACCESSORIES**

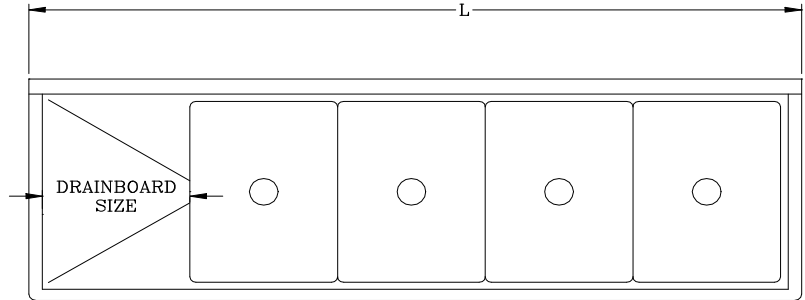
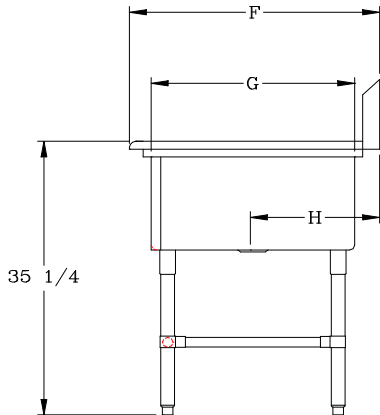
|                                   | Qty |
|-----------------------------------|-----|
| END SPLASHS, RIGHT , LEFT or BOTH |     |
| FAUCETS                           |     |
| ADD-A-FAUCETS                     |     |
| PRE-RINSE UNITS                   |     |
| LEVEL WASTE                       |     |
| OVERSHELVES                       |     |
| POT RACK                          |     |

**John Boos & Co**

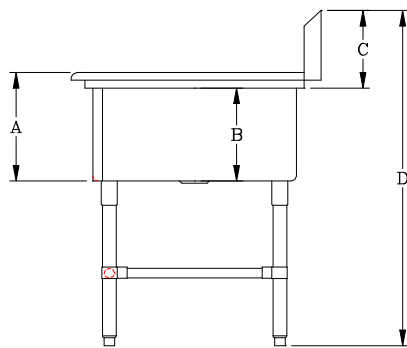
3601 S. Banker Street - Effingham, IL 62401  
Phone: 217-347-7701 - Fax: 217-347-7705  
Email: sales@johnboos.com - Web-site: www. johnboos.com

## DETAILED SPECIFICATIONS

| BOWLS   | F       | G   | H         |
|---------|---------|-----|-----------|
| 16 X 18 | 23-1/2" | 18" | 11-15/16" |
| 16 X 20 | 25-1/2" | 20" | 12-15/16" |
| 18 X 18 | 23-1/2" | 18" | 11-15/16" |
| 18 X 24 | 29-1/2" | 24" | 14-15/16" |
| 24 X 24 | 29-1/2" | 24" | 14-15/16" |
| 30 X 24 | 29-1/2" | 24" | 14-15/16" |



| 14 GAUGE * 12" DEEP |              |                     |     |     |
|---------------------|--------------|---------------------|-----|-----|
| MODEL               | BOWL SIZE    | DIMENSIONS          | DB  | WT. |
| 44PB1618-1D18       | 16 X 18 X 12 | 86-3/16" X 23-1/2"  | 18" | 365 |
| 44PB1618-1D24       | 16 X 18 X 12 | 92-3/16" X 23-1/2"  | 24" | 378 |
| 44PB18-1D18         | 18 X 18 X 12 | 94-3/16" X 23-1/2"  | 18" | 389 |
| 44PB18-1D24         | 18 X 18 X 12 | 100-3/16" X 23-1/2" | 24" | 400 |
| 44PB18-1D30         | 18 X 18 X 12 | 106-3/16" X 23-1/2" | 30" | 413 |
| 44PB1824-1D18       | 18 X 24 X 12 | 94-3/16" X 29-1/2"  | 18" | 433 |
| 44PB1824-1D24       | 18 X 24 X 12 | 100-3-16" X 29-1/2" | 24" | 446 |
| 44PB1824-1D30       | 18 X 24 X 12 | 106-3/16" X 29-1/2" | 30" | 459 |
| 44PB24-1D24         | 24 X 24 X 12 | 124-3/16" X 29-1/2" | 24" | 535 |
| 44PB24-1D30         | 24 X 24 X 12 | 130-3/16" X 29-1/2" | 30" | 551 |
| 44PB3024-1D30       | 30 X 24 X 12 | 154-3/16" X 29-1/2" | 30" | 624 |
| 44PB3024-1D364      | 30 X 24 X 12 | 160-3/16" X 29-1/2" | 36" | 637 |



|          | 12" Deep | 14" Deep |
|----------|----------|----------|
| <b>A</b> | 14"      | 16"      |
| <b>B</b> | 12"      | 14"      |
| <b>C</b> | 10"      | 10"      |
| <b>D</b> | 43"      | 43"      |

| 14 GAUGE * 14" DEEP |              |                     |     |     |
|---------------------|--------------|---------------------|-----|-----|
| MODEL               | BOWL SIZE    | DIMENSIONS          | DB  | WT. |
| 44PB16184-1D18      | 16 X 18 X 14 | 86-3/16" X 23-1/2"  | 18" | 377 |
| 44PB16184-1D24      | 18 X 18 X 14 | 92-3/16" X 23-1/2"  | 24" | 390 |
| 44PB184-1D18        | 18 X 24 X 14 | 94-3/16" X 23-1/2"  | 18" | 401 |
| 44PB184-1D24        | 24 X 24 X 14 | 100-3/16" X 23-1/2" | 24" | 412 |
| 44PB184-1D30        | 18 X 18 X 14 | 106-3/16" X 23-1/2" | 30" | 425 |
| 44PB18244-1D18      | 18 X 24 X 14 | 94-3/16" X 29-1/2"  | 18" | 445 |
| 44PB18244-1D24      | 18 X 24 X 14 | 100-3-16" X 29-1/2" | 24" | 458 |
| 44PB18244-1D30      | 18 X 24 X 14 | 106-3/16" X 29-1/2" | 30" | 471 |
| 44PB244-1D24        | 24 X 24 X 14 | 124-3/16" X 29-1/2" | 24" | 547 |
| 44PB244-1D30        | 24 X 24 X 14 | 130-3/16" X 29-1/2" | 30" | 563 |
| 44PB30244-1D30      | 30 X 24 X 14 | 154-3/16" X 29-1/2" | 30" | 636 |
| 44PB30244-1D36      | 30 X 24 X 14 | 160-3/16" X 29-1/2" | 36" | 649 |

All dimensions are typical.  
Tolerance +/- .500".

All units ship unassembled for reduced shipping cost.

### John Boos & Co

3601 S. Banker Str - Effingham, IL 62401 Phone: 217-347-7701 - Fax: 217-347-7705

Email: sales@johnboos.com - Web-site: www.johnboos.com



July 2013

John Boos is constantly engaged in a program of improving products and therefore reserves the right to change specification without prior notice