

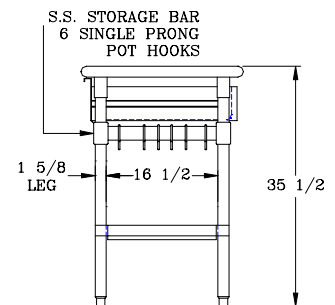
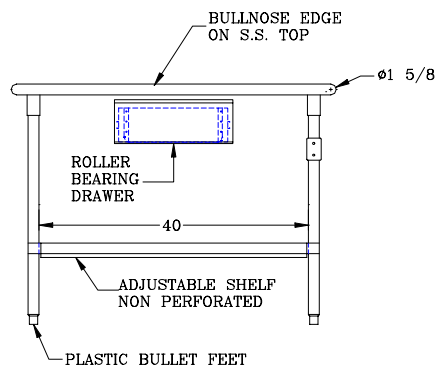
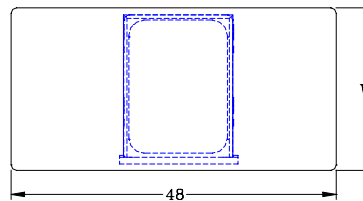
### Cucina Forte



#### FEATURES:

- \* Food Service Stainless Steel Top
- \* Type 16/304 stainless steel # 3 polish, satin finish
- \* Polished Bullnose Corners & Edges
- \* Stainless Steel Adjustable Shelf
- \* Stainless Steel Drawer w/ roller bearing drawer slides
- \* Storage Bar w/ 6 Stainless Steel Hooks
- \* 36" high Overall
- \* Adjustable Feet
- \* Optional Commercial Grade Casters (CAS01)
- \* Shipped knocked-down, easy - to - assemble
- \* UPSable

Model	Size	Wt
BS4824-AS-D	48"x24"	100
BS4830-AS-D	48"x30"	119



#### MATERIAL:

- Top: 16 gauge type 304 stainless steel,  
Type 304 stainless steel # 3 polish, satin finish
- Shelf: 18 gauge type 304 stainless steel, # 3 polish, satin finish
- Legs: 18 gauge type 304 stainless steel, # 3 polish, satin finish

### **John Boos & Co**

315 South First Street - Effingham, IL 62401

Phone: 217-347-7701 - Fax: 217-347-7705

Email: sales@johnboos.com - Web-site: www. johnboos.com