



## Condensate Hood



Item #	_____	Qty	_____
Model #	_____		
Project	_____		

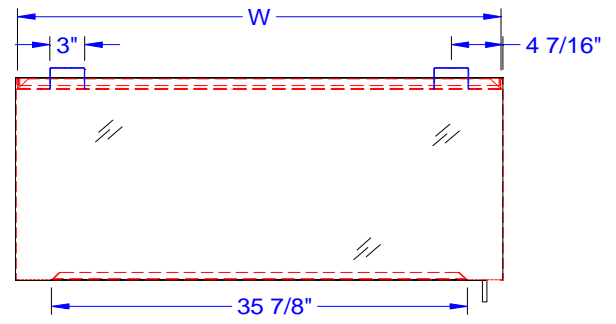
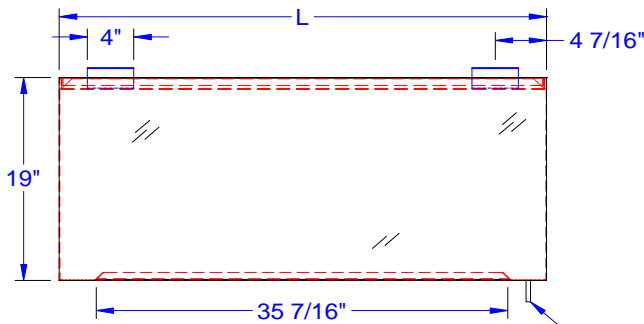
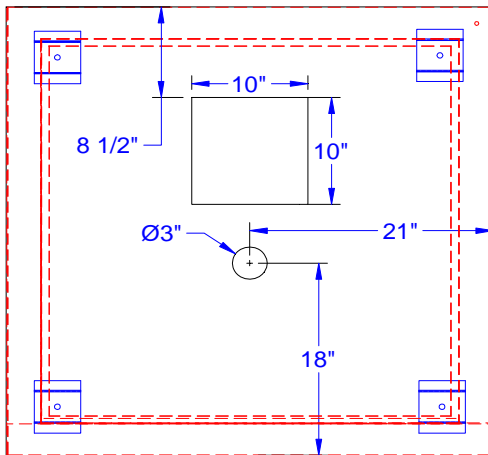
### CONDENSATE HOOD

MODEL #	Length	Width	Height	Weight
C2H-36-2	36"	36"	19"	38
C2H-42-2	42"	42"	19"	42

\*\* Weights are subject to additional packaging

### CONDENSATE HOODS:

- \* 18 ga Stainless Steel Construction
- \* Full Perimeter Gutter
- \* Starting Exhaust Duct Collar
- \* Welded Hanging Brackets



3/8" DIA. x 2" LONG  
DRAIN TUBE  
AT RIGHT REAR

### MATERIAL:

Hood: 18 Gauge type 300 stainless steel  
Baffle: 18 Gauge type 300 stainless steel

## John Boos & Co

3601 S. Banker St. - Effingham, IL 62401  
Phone: 217-347-7701 - Fax: 217-347-7705  
Email: sales@johnboos.com - Web-site: www.johnboos.com

AUTOQUOTES

