

## CUCINA AMERICANA

### Cucina Avanti



**CUCAV01**

#### FEATURES:

- \* Solid Hard Rock Maple Top
- \* 30"x20"x1-1/2" Thick Edge Grain Work Surface
- \* Finished with Penetrating Oil
- \* 2" Radius Corners

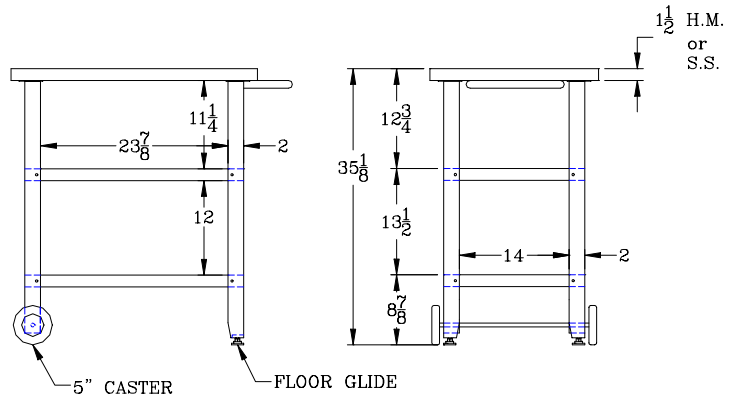
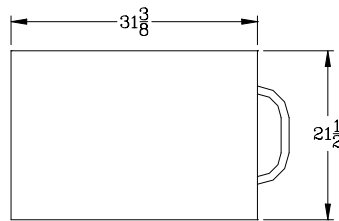
OR

- \* (Heavy Duty) Food Service Grade Stainless Steel Top
- \* 30"x20"x1-1/2" Thick Type 304 stainless steel
- \* Stand 35" O.A.H.
- \* Stainless Steel Towel Bar
- \* 2 Stainless Steel Lower Shelves
- \* (2) Legs with Glides, (2) legs with Rigid Casters
- \* Shipped knocked-down, easy - to - assemble
- \* UPSable

Model	Size	Wt
CUCAV01	30"x20"	76
CUCAV02	30"x20"	76



**CUCAV02**



#### MATERIAL:

Top: (INDOOR) \*\* Laminated Hard Rock Maple  
(OUTDOOR) 16 gauge type 304 stainless steel,  
# 3 polish, satin finish

Shelf: 16 gauge type 304 stainless steel, # 3 polish, satin finish

Legs: 16 gauge type 304 stainless steel, # 3 polish, satin finish

### John Boos & Co

315 South First Street - Effingham, IL 62401

Phone: 217-347-7701 - Fax: 217-347-7705

Email: sales@johnboos.com - Web-site: www.johnboos.com