



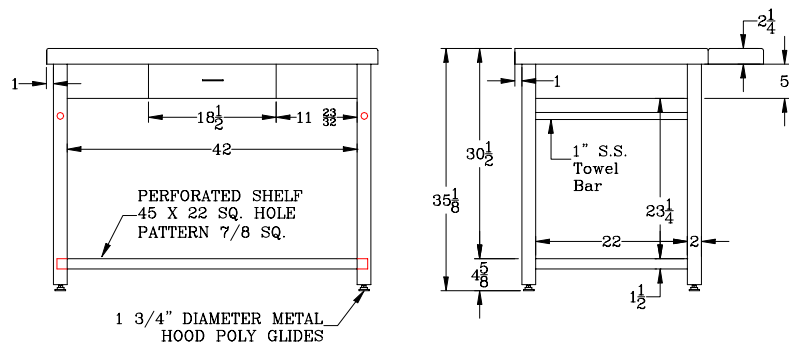
Cucina Grande'

FEATURES:

- * 2-1/4" Thick Edge Grain Hard Rock Maple Top
- * Finished w/ Varnique
- * Food Service Stainless Steel Legs, Undershelf and Towel Bar
- * Type 18/304 stainless steel # 3 polish, satin finish
- * 35" High Overall
- * Dovetailed Maple Drawer w/ Stainless Steel Front
- * Optional **CUCINA POT RACK**
- * Optional Commercial Grade 3" Locking Casters
- * Shipped knocked-down, easy - to - assemble
- * UPSable

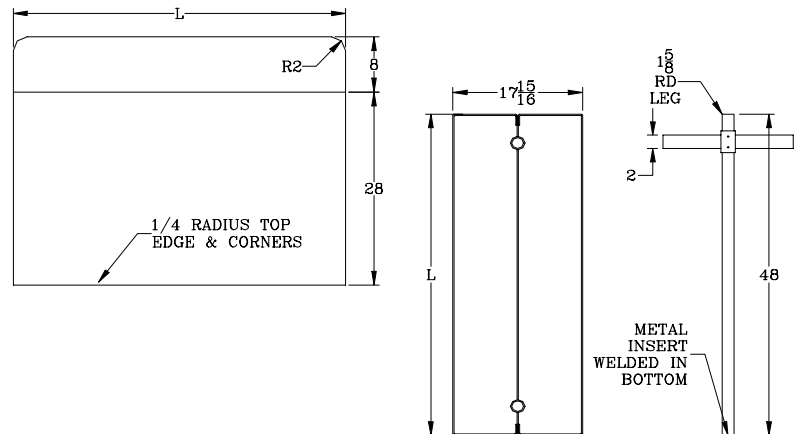
With Drop Leaf

Model	Size	Wt
CUCG11	60"x36"	265
CUCG10	48"x36"	220



Without Drop Leaf

Model	Size	Wt
CUCG21	60"x28"	250
CUCG20	48"x28"	211



Cucina Pot Rack (Grande')

Model	Size	Wt
PRG60	60"	45
PRG48	48"	40

MATERIAL:

- Top: Edge Grain Hard Rock Maple
- Pot Rack: Type 304 stainless steel, # 3 polish, satin finish
- Shelf: 18 gauge type 304 stainless steel, # 3 polish, satin finish
- Legs: 18 gauge type 304 stainless steel, # 3 polish, satin finish

John Boos & Co

315 South First Street - Effingham, IL 62401

Phone: 217-347-7701 - Fax: 217-347-7705

Email: sales@johnboos.com - Web-site: www.johnboos.com