

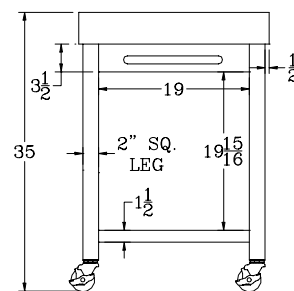
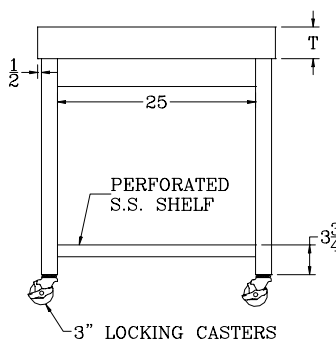
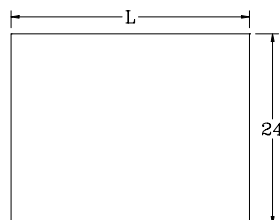


Cucina Technica

FEATURES:

- Food Service Grade Stainless Steel Shelf
- Stainless Steel Towel Bar
- Commercial Grade 3" Locking Casters
- 35" High Overall
- Shipped Knocked Down, 1 Carton, UPSable
- Optional Dovetailed Maple Drawer/Stainless Front Available

Model	Size	Wt
CUCT24	30"x24"	122
CUCT14	24"x24"	105



Model	Size	Wt
CUCT34	30"x24"	100
CUCT04	24"x24"	77

MATERIAL:

Top: 2-1/4" Edge Grain Hard Rock Maple
4" End Grain Hard Rock Maple

Shelf: 16 gauge type 304 stainless steel, # 3 polish, satin finish

Legs: 16 gauge type 304 stainless steel, # 3 polish, satin finish

John Boos & Co

315 South First Street - Effingham, IL 62401

Phone: 217-347-7701 - Fax: 217-347-7705

Email: sales@johnboos.com - Web-site: www.johnboos.com