

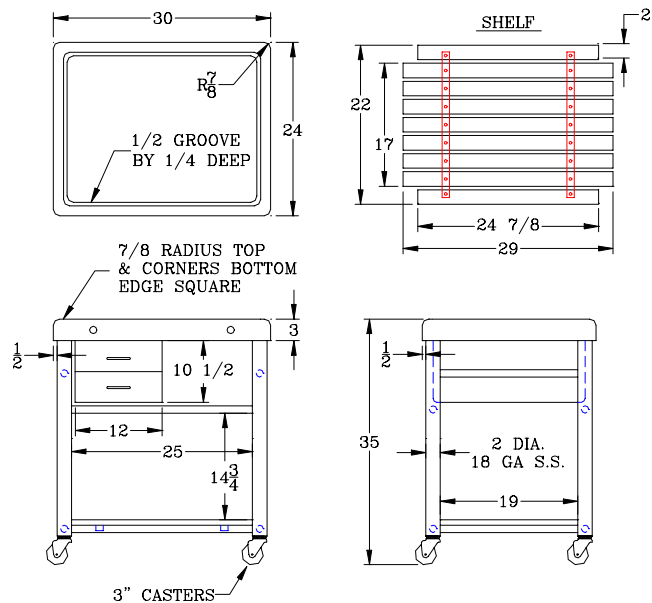
Cucina Toscano



FEATURES:

- 3" Thick Hard Maple Top (Butcher Block Style)
- A Channeled Groove On Top To Keep Liquids Or Juices From Spilling Over!
- Food Service Grade Stainless Steel
- Removable Shelf (Serving Tray)
- Dovetailed Drawers
- Stainless Steel Towel Bar
- Commercial Grade 3" Locking Casters
- 35" High Overall
- Shipped Welded Set-up, 1 Carton

Model	Size	Wt
CUCT06	30"x24"	164



MATERIAL:

Top: End Grain Hard Rock Maple
 Shelf: 18 gauge type 304 stainless steel, # 3 polish, satin finish
 Legs: 18 gauge type 304 stainless steel, # 3 polish, satin finish

John Boos & Co

315 South First Street - Effingham, IL 62401

Phone: 217-347-7701 - Fax: 217-347-7705

Email: sales@johnboos.com - Web-site: www.johnboos.com