



**John
BOOS**
Since 1887

ITEM #: _____ QTY: _____

MODEL #: _____

PROJECT NAME: _____

3601 S. Banker St. Effingham, IL 62401 • P.O. BOX 609 • Ph: (888) 431-2667 • Fax: (800) 433-2667

"DT3B" CLEAN DISHTABLE/POT SINKS



FEATURES:

- 16GA STAINLESS STEEL
- TYPE 300 STAINLESS STEEL WITH #4 POLISH, SATIN FINISH
- 14" DEEP BOWLS
- ALL CORNERS, BOTH VERTICAL AND HORIZONTAL, COVERED AT 3/4" RADIUS
- BOTTOMS OF BOWLS FORMED FOR DRAINAGE TO 3-1/2" DIAMETER DIE STAMPED OPENING
- FULL LENGTH **10" HIGH BOXED BACKSPASH**, WITH 2" RETURN TO WALL AT 45 DEGREE AND 1" TURNED DOWN REAR LIP
- 1-1/8" FAUCET HOLES IN BACKSPASH
- ALL OUTSIDE CORNERS OF ASSEMBLY ARE BULLNOSED TO PROVIDE SAFE, CLEAN, AND POLISHED EDGE
- STANDARD STAINLESS STEEL LEGS 1-5/8" DIAMETER
- LEGS LOCATED DIRECTLY UNDER SINK BOWLS, PROVIDING INCREASED STABILITY AND MAX WEIGHT SUPPORT

CONSTRUCTION:

- TOP: STAINLESS STEEL SINKS ARE TIG WELDED, EXPOSED WELDS ARE POLISHED TO MATCH ADJACENT SURFACE
- BASE: STAINLESS STEEL BASES ARE MIG WELDED

MATERIAL:

- BOWLS & TOP: 16GA TYPE 300 STAINLESS STEEL WITH #4 POLISH, SATIN FINISH
- LEGS: 1-5/8" ROUND O.D. STAINLESS STEEL
- BRACING: 1-1/4" ROUND O.D. STAINLESS STEEL
- GUSSETS: STAINLESS STEEL
- FEET: 1" ADJUSTABLE STAINLESS STEEL BULLET FEET



STANDARD 16GA "DT3B" SINK

MODEL	BOWL SIZE (LxWxD)	QTY
DT3B18244-2D18L	18" X 24" X 14"	
DT3B18244-2D18R	18" X 24" X 14"	
DT3B18244-2D24L	18" X 24" X 14"	
DT3B18244-2D24R	18" X 24" X 14"	
DT3B244-2D24L	24" X 24" X 14"	
DT3B244-2D24R	24" X 24" X 14"	

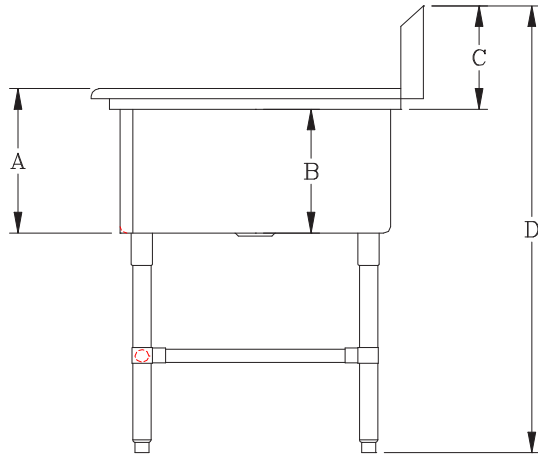
OPTIONAL ACCESSORIES

DESCRIPTION	QTY
FAUCETS	
ADD-A-FAUCETS	
PRE-RINSE UNITS	
LEVEL WASTE	
OVERSHELVES	
POT RACK	

"DT3B" CLEAN DISHTABLE/POT SINKS DETAILED SPECIFICATIONS

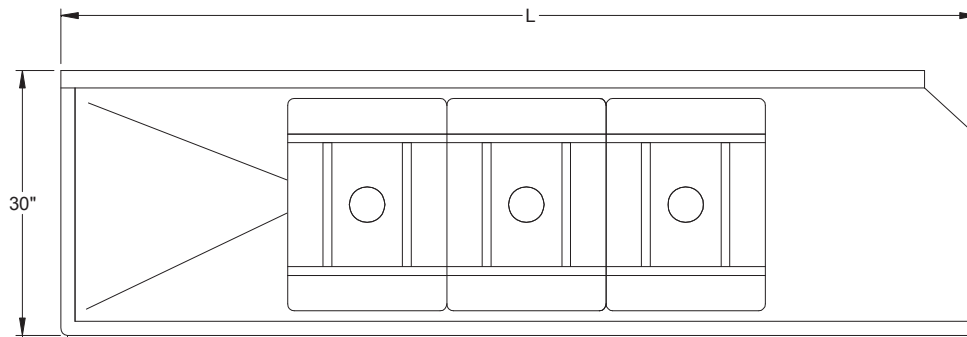
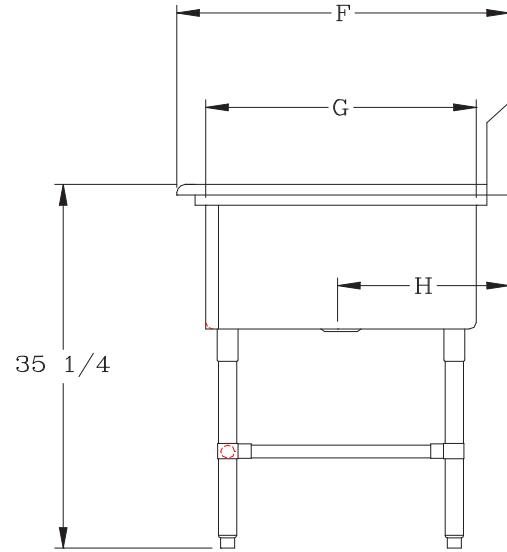
SINK DIMENSIONS

A	B	C	D
16-1/4"	14"	10"	43"



BOWL SIZES

DIMENSIONS (LxW)	F	G	H
18" X 24"	29-1/2"	24"	14-15/16"
24" X 24"	29-1/2"	24"	14-15/16"



STANDARD 16GA "DT3B" "B" SINK

MODEL	BOWL SIZE (LxWxD)	DIMENSIONS (LxW)	DRAIN BOARDS	WT. (LBS)
DT3B18244-2D18L	18" X 24" X 14"	91-1/2" X 30"	18"	218
DT3B18244-2D18R	18" X 24" X 14"	91-1/2" X 30"	18"	218
DT3B18244-2D24L	18" X 24" X 14"	103-1/2" X 30"	24"	420
DT3B18244-2D24R	18" X 24" X 14"	103-1/2" X 30"	24"	420
DT3B244-2D24L	24" X 24" X 14"	121-1/2" X 30"	24"	550
DT3B244-2D24R	24" X 24" X 14"	121-1/2" X 30"	24"	550

SOME UNITS SHIP UNASSEMBLED FOR REDUCED SHIPPING COST. ALL DIMENSIONS ARE TYPICAL. TOLERANCE +/- .500"
John Boos & Co. is constantly engaged in a program of improving products and therefore reserves the right to change specifications without prior notice.