

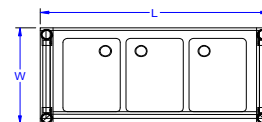
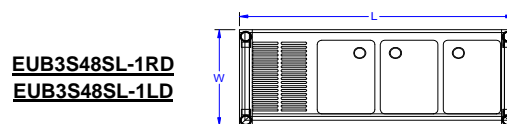
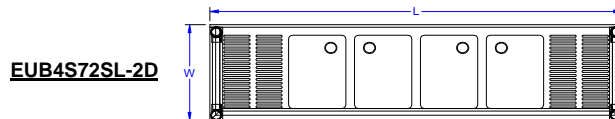


Slim Line - Underbar Sinks



Shown with Faucet
Model
PBF-W2-10

Item #	_____	Qty	_____
Model #	_____		
Project	_____		



BAR SINKS

MODEL #	Length	Width	BD	Height	Weight
EUB3S40SL	40"	18"	-	30"	55
EUB2S48SL-1RD	48"	18"	24"	30"	73
EUB2S48SL-1LD	48"	18"	24"	30"	73
EUB3S60SL-2D	60"	18"	13"	30"	90
EUB3S72SL-2D	72"	18"	19"	30"	100
EUB3S84SL-2D	84"	18"	25"	30"	107

** Weights are subject to additional packaging

RD = Right Drain board

LD = Left Drain board

FEATURES:

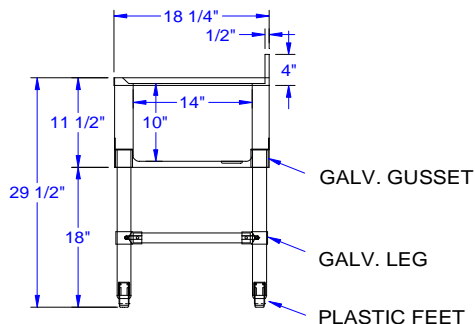
- Fabricated Bowls, 10" x 14" x 10"
- Stamped Ribbed Drain boards
- Raised Marine Edge on Front & Sides
- Galvanized Legs and bracing, with adjustable bullet feet

CONSTRUCTION:

Top: Stainless Steel Tops are TIG welded, Exposed welds are polished to match adjacent surface.

MATERIAL:

- Top: 18 Gauge type 300 stainless steel
- Bracing: Galvanized
- Legs: Galvanized
- Gussets: Galvanized
- Feet: Plastic



INCLUDES: Economy Faucet & Overflow Pipes
Faucet Model - **PBF-W2-10**
Overflow Pipe Model - **PB-OVF-BS**

OPTIONAL ACCESSORIES

	Qty
Speed Rail	
S/S Legs	

John Boos & Co

3601 S. Banker Street - Effingham, IL 62401
Phone: 217-347-7701 - Fax: 217-347-7705

Email: sales@johnboos.com - Web-site: www.johnboos.com

AUTOQUOTES



July 1, 2013