



**John
BOOS**
Since 1887

ITEM #: _____ QTY: _____

MODEL #: _____

PROJECT NAME: _____

3601 S. Banker St. Effingham, IL 62401 • P.O. BOX 609 • Ph: (888) 431-2667 • Fax: (800) 433-2667

UNDERBAR BLENDER STATION

FEATURES:

- FABRICATED SINK BOWL: 14" X 10" X 6" DEEP
- GALVANIZED LEGS AND BRACING, WITH ADJUSTABLE BULLET FEET

CONSTRUCTION:

- TOP: STAINLESS STEEL TOPS ARE TIG WELDED, EXPOSED WELDS ARE POLISHED TO MATCH ADJACENT SURFACE.

MATERIAL:

- TOP: 18GA 300 SERIES STAINLESS STEEL
- BRACING: GALVANIZED
- LEGS: GALVANIZED
- GUSSETS: GALVANIZED
- FEET: PLASTIC



EUBBS-1410



UNDERBAR BLENDER STATION

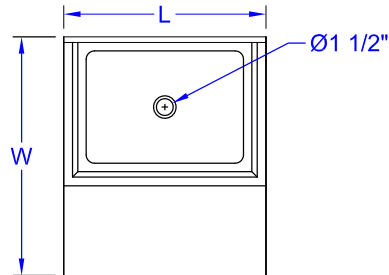
MODEL #	QTY
EUBBS-1410	

OPTIONAL ACCESSORIES

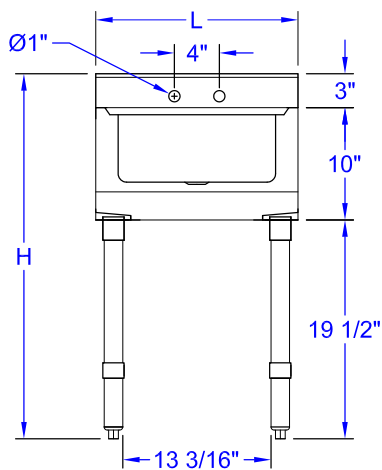
MODEL #	QTY
STAINLESS STEEL LEGS	

BLENDER STATION DETAILED SPECIFICATIONS

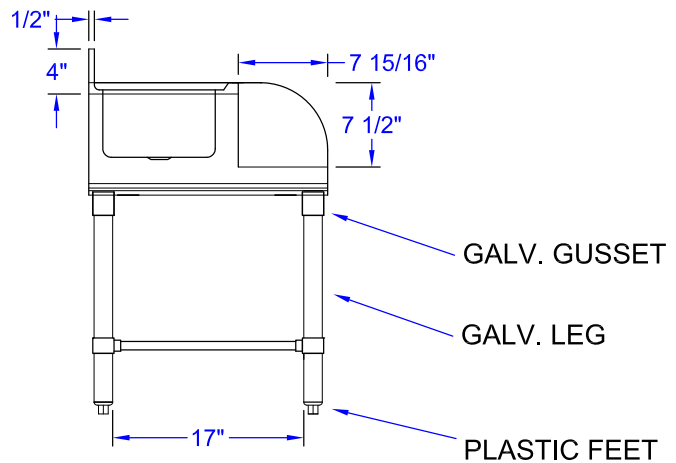
PLAN VIEW



FRONT ELEVATION



SIDE VIEW



UNDERBAR BLENDER STATION

MODEL #	LENGTH	WIDTH	HEIGHT	WT. (LBS)
EUBBS-1410	18"	21"	30"	52

WEIGHTS ARE SUBJECT TO ADDITIONAL PACKAGING

John Boos & Co. is constantly engaged in a program of improving products and therefore reserves the right to change specifications without prior notice.