



Underbar Blender Station & Dump Sink

Item #	_____	Qty	_____
Model #	_____		
Project	_____		

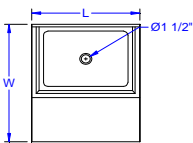


BLENDER STATION

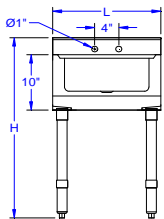
MODEL #	Length	Width	Height	Weight
EUBBS-1410	18"	21"	30"	52

** Weights are subject to additional packaging

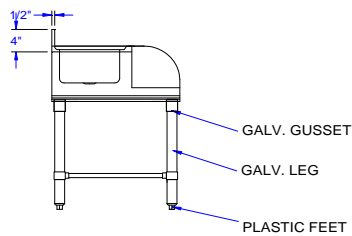
PLAN VIEW



FRONT ELEVATION



SIDE VIEW



FEATURES:

Fabricated Sink Bowl 14" x 10" x 6" deep (**Blender Station**)

Fabricated Sink Bowl 10" x 14" x 6" deep (**Dump Sink**)

INCLUDES: PBF-4-D Faucet Included w/ Dump Sink

Galvanized Legs and bracing, with adjustable bullet feet

CONSTRUCTION:

Top: Stainless Steel Tops are TIG welded, Exposed welds are polished to match adjacent surface.

MATERIAL:

Top: 18 Gauge type 300 stainless steel

Bracing: Galvanized

Legs: Galvanized

Gussets: Galvanized

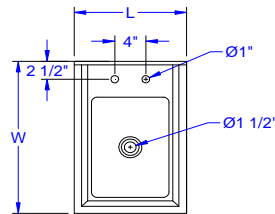
Feet: Plastic



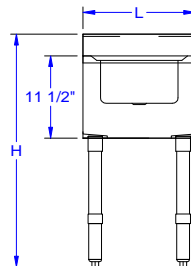
DUMP SINK

MODEL #	Length	Width	Height	Weight
EUBDS-1014-P	14"	21"	30"	41

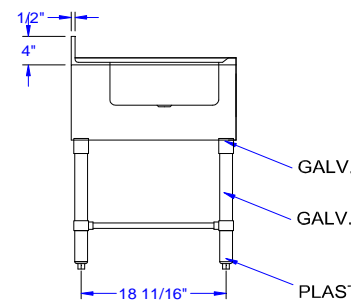
** Weights are subject to additional packaging



FRONT ELEVATION



SIDE VIEW



OPTIONAL ACCESSORIES

	Qty
S/S Legs	

John Boos & Co

3601 S. Banker Street - Effingham, IL 62401

Phone: 217-347-7701 - Fax: 217-347-7705

Email: sales@johnboos.com - Web-site: www.johnboos.com

AUTOQUOTES

