



**John  
BOOS**  
Since 1887

ITEM #:	_____	QTY:	_____
MODEL #:	_____		
PROJECT NAME:	_____		

3601 S. Banker St. Effingham, IL 62401 • P.O. BOX 609 • Ph: (888) 431-2667 • Fax: (800) 433-2667

## SLIM-LINE UNDERBAR DUMP SINK

### FEATURES:

- FABRICATED SINK BOWL: 10" X 14" X 6" DEEP
- GALVANIZED LEGS AND BRACING, WITH ADJUSTABLE BULLET FEET

### CONSTRUCTION:

- TOP: STAINLESS STEEL TOPS ARE TIG WELDED, EXPOSED WELDS ARE POLISHED TO MATCH ADJACENT SURFACE.

### MATERIAL:

- TOP: 18GA 300 SERIES STAINLESS STEEL
- BRACING: GALVANIZED
- LEGS: GALVANIZED
- GUSSETS: GALVANIZED
- FEET: PLASTIC



EUBDS-1014-SL

### **SLIM-LINE UNDERBAR DUMP SINK**

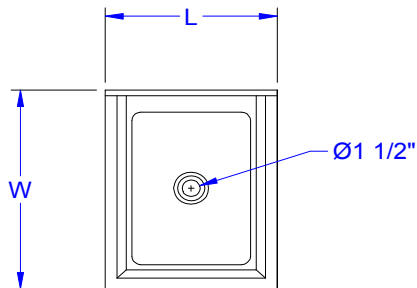
MODEL #	QTY
EUBDS-1014-SL	

### **OPTIONAL ACCESSORIES**

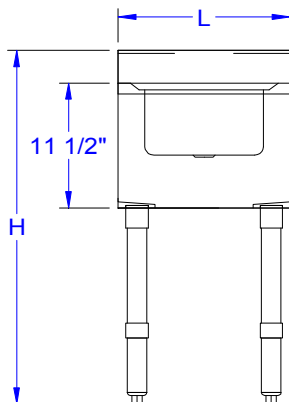
MODEL #	QTY
STAINLESS STEEL LEGS	

# SLIM-LINE UNDERBAR DUMP SINK DETAILED SPECIFICATIONS

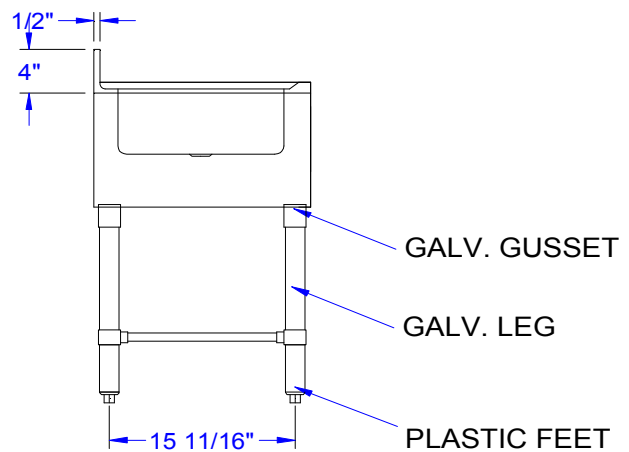
## PLAN VIEW



## FRONT ELEVATION



## SIDE VIEW



### SLIM-LINE UNDERBAR DUMP SINK

MODEL #	LENGTH	WIDTH	HEIGHT	WT. (LBS)
EUBDS-1014-SL	14"	18"	30"	41

WEIGHTS ARE SUBJECT TO ADDITIONAL PACKAGING

John Boos & Co. is constantly engaged in a program of improving products and therefore reserves the right to change specifications without prior notice.