



ITEM #: _____ QTY: _____
 MODEL #: _____
 PROJECT NAME: _____

3601 S. Banker St. Effingham, IL 62401 • P.O. BOX 609 • Ph: (888) 431-2667 • Fax: (800) 433-2667

UNDERBAR DUMP SINK

FEATURES:

- FABRICATED SINK BOWL: 10" X 14" X 6" DEEP
- GALVANIZED LEGS AND BRACING, WITH ADJUSTABLE BULLET FEET

CONSTRUCTION:

- TOP: STAINLESS STEEL TOPS ARE TIG WELDED, EXPOSED WELDS ARE POLISHED TO MATCH ADJACENT SURFACE.

MATERIAL:

- TOP: 18GA 300 SERIES STAINLESS STEEL
- BRACING: GALVANIZED
- LEGS: GALVANIZED
- GUSSETS: GALVANIZED
- FEET: PLASTIC



EUBDS-1014



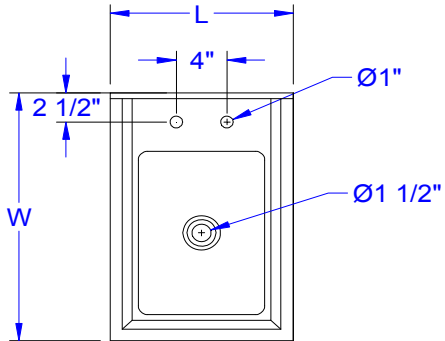
UNDERBAR DUMP SINK

MODEL #	QTY
EUBDS-1014	

OPTIONAL ACCESSORIES

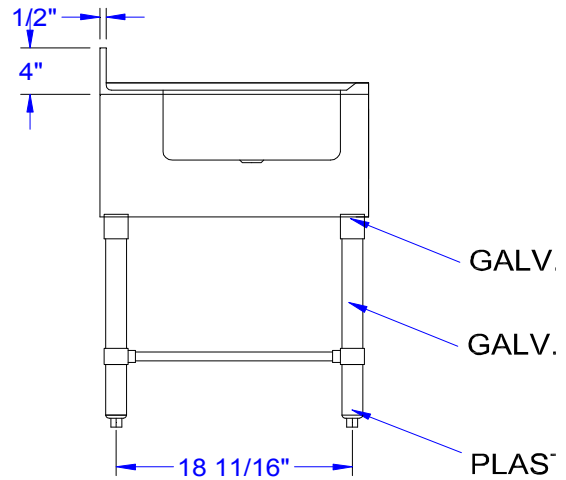
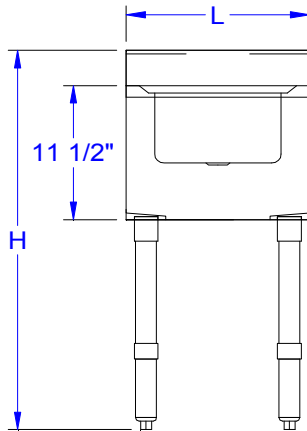
MODEL #	QTY
STAINLESS STEEL LEGS	

UNDERBAR DUMP SINK DETAILED SPECIFICATIONS



FRONT ELEVATION

SIDE VIEW



UNDERBAR DUMP SINK

MODEL #	LENGTH	WIDTH	HEIGHT	WT. (LBS)
EUBDS-1014	14"	21"	30"	38

WEIGHTS ARE SUBJECT TO ADDITIONAL PACKAGING

John Boos & Co. is constantly engaged in a program of improving products and therefore reserves the right to change specifications without prior notice.