



ITEM #: \_\_\_\_\_ QTY: \_\_\_\_\_  
 MODEL #: \_\_\_\_\_  
 PROJECT NAME: \_\_\_\_\_

3601 S. Banker St. Effingham, IL 62401 • P.O. BOX 609 • Ph: (888) 431-2667 • Fax: (800) 433-2667

## **SLIM-LINE UNDERBAR LIQUOR DISPLAY**

### **FEATURES:**

- 4-STEP LIQUOR DISPLAY
- GALVANIZED LEGS AND BRACINGS
- ADJUSTABLE BULLET FEET

### **CONSTRUCTION:**

- TOP: STAINLESS STEEL TOPS ARE TIG WELDED, EXPOSED WELDS ARE POLISHED TO MATCH ADJACENT SURFACE.

### **MATERIAL:**

- TOP: 18GA 300 SERIES STAINLESS STEEL
- BRACING: GALVANIZED
- LEGS: GALVANIZED
- GUSSETS: GALVANIZED
- FEET: PLASTIC

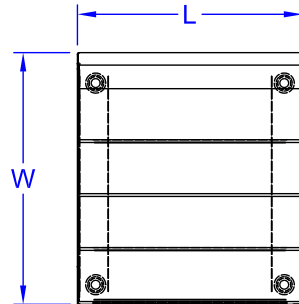


### **SLIM-LINE LIQUOR DISPLAY**

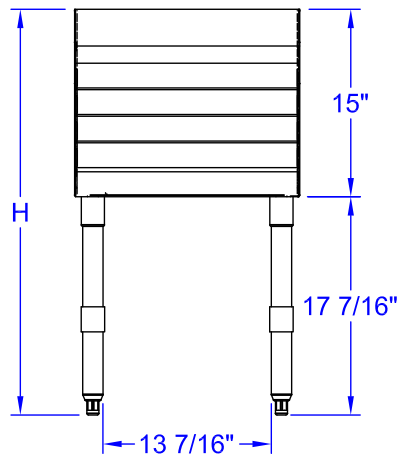
MODEL #	QTY
EUBLD-1218	
EUBLD-1818	
EUBLD-2418	

# SLIM-LINE UNDERBAR LIQUOR DISPLAY DETAILED SPECIFICATIONS

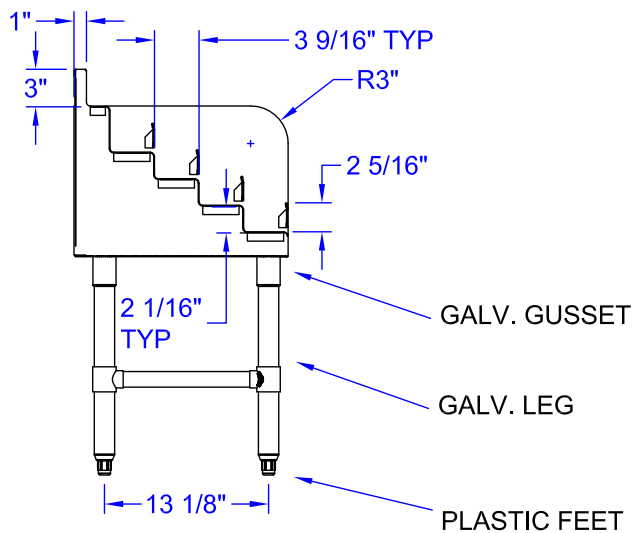
## PLAN VIEW



## FRONT ELEVATION



## SIDE VIEW



## LIQUOR DISPLAY

MODEL #	LENGTH	WIDTH	HEIGHT	WT. (LBS)
EUBLD-1218	12"	18"	32-1/2"	30
EUBLD-1818	18"	18"	32-1/2"	36
EUBLD-2418	24"	18"	32-1/2"	39

WEIGHTS ARE SUBJECT TO ADDITIONAL PACKAGING

John Boos & Co. is constantly engaged in a program of improving products and therefore reserves the right to change specifications without prior notice.