

ITEM #: _____ QTY: _____
 MODEL #: _____
 PROJECT NAME: _____

3601 S. Banker St. Effingham, IL 62401 • P.O. BOX 609 • Ph: (888) 431-2667 • Fax: (800) 433-2667

SLIM-LINE UNDERBAR LIQUOR DISPLAY

FEATURES:

- 4-STEP LIQUOR DISPLAY
- GALVANIZED LEGS AND BRACINGS

CONSTRUCTION:

- TOP: STAINLESS STEEL TOPS ARE TIG WELDED, EXPOSED WELDS ARE POLISHED TO MATCH ADJACENT SURFACE.

MATERIAL:

- TOP: 18GA 300 SERIES STAINLESS STEEL
- BRACING: GALVANIZED
- LEGS: GALVANIZED
- GUSSETS: GALVANIZED
- FEET: PLASTIC

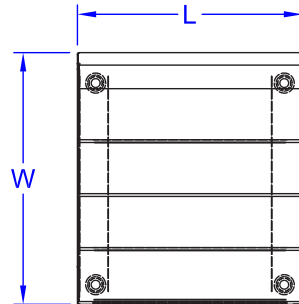


SLIM-LINE LIQUOR DISPLAY

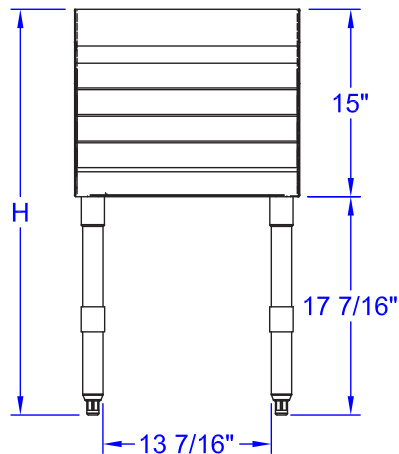
MODEL #	QTY
EUBLD-1218	
EUBLD-1818	
EUBLD-2418	

SLIM-LINE UNDERBAR LIQUOR DISPLAY DETAILED SPECIFICATIONS

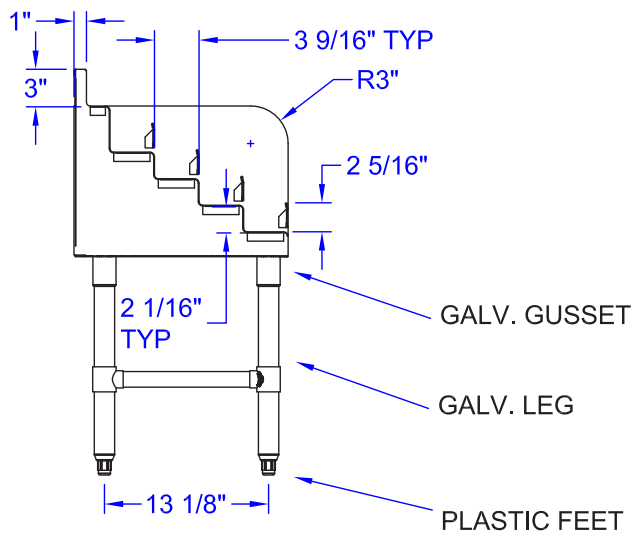
PLAN VIEW



FRONT ELEVATION



SIDE VIEW



LIQUOR DISPLAY

MODEL #	LENGTH	WIDTH	HEIGHT	WT. (LBS)
EUBLD-1218	12"	18"	32-1/2"	30
EUBLD-1818	18"	18"	32-1/2"	36
EUBLD-2418	24"	18"	32-1/2"	39

WEIGHTS ARE SUBJECT TO ADDITIONAL PACKAGING

SOME UNITS SHIP UNASSEMBLED FOR REDUCED SHIPPING COST. ALL DIMENSIONS ARE TYPICAL. TOLERANCE +/- .500"
John Boos & Co. is constantly engaged in a program of improving products and therefore reserves the right to change specifications without prior notice.