



# "FBLGR5" Stainless Steel Top Work Tables w/ Riser

BUDGET SERIES -----BUDGET SERIES -----BUDGET SERIES -----

w/ 18 Gauge Stainless Steel Work Top  
w/ Galvanized Base and Undershef



FBLGR5-4830

|         |       |     |       |
|---------|-------|-----|-------|
| Item #  | _____ | Qty | _____ |
| Model # | _____ |     |       |
| Project | _____ |     |       |

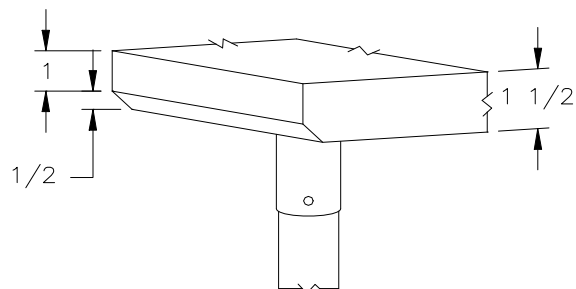
AUTOQUOTES



| 24"WIDE     | Qty | 30"WIDE     | Qty |
|-------------|-----|-------------|-----|
| FBLGR5-2424 |     | --          |     |
| FBLGR5-3024 |     | FBLGR5-3030 |     |
| FBLGR5-3624 |     | FBLGR5-3630 |     |
| FBLGR5-4824 |     | FBLGR5-4830 |     |
| FBLGR5-6024 |     | FBLGR5-6030 |     |
| FBLGR5-7224 |     | FBLGR5-7230 |     |
| FBLGR5-8424 |     | FBLGR5-8430 |     |
| FBLGR5-9624 |     | FBLGR5-9630 |     |

**FEATURES:**

- \* 18 Gauge Stainless Steel Top with 5" Riser & turndown  
Type 430 stainless steel mechanically polished, satin finish
- \* Top is Sound Deadened
- \* 1 1/2" Stallion Edge on front  
side edges 90 degree bend down for table line-up
- \* Galvanized Base and Undershef
- \* Undershef is adjustable to desired height
- \* Adjustable bullet feet
- \* Shipped knocked-down, easy - to - assemble
- \* All models are approved by the National Sanitation Foundation and the U.S. Department of Agriculture.



STALLION  
SAFETY  
EDGE

**CONSTRUCTION:**

Top: Stainless Steel Tops are TIG welded, Exposed welds are polished to match adjacent surface.

**MATERIAL:**

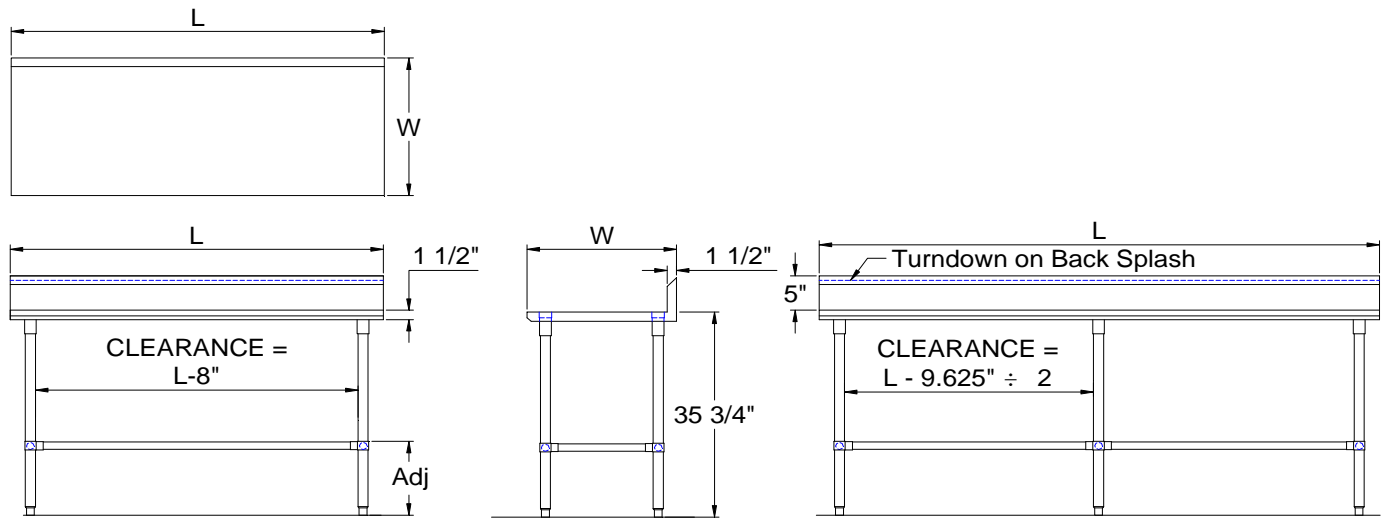
- Top: 18 gauge stainless steel  
Type 430 stainless steel mechanically polished, satin finish
- Shelf: 18 gauge Galvanized Steel
- Legs: 1 5/8" Round O.D., 16 gauge tubular galvanized steel
- Gussets: Galvanized Steel
- Feet: 1" adjustable plastic bullet feet

**OPTIONAL  
ACCESSORIES**

**John Boos & Co**

3601 S. Banker St. - Effingham, IL 62401  
Phone: 217-347-7701 - Fax: 217-347-7705  
Email: sales@johnboos.com - Web-site: www.johnboos.com

## DETAILED SPECIFICATIONS



All units ship unassembled for reduced shipping cost.  
 Units 7 ft. and larger are furnished with six legs.  
 All dimensions are typical.  
 Tolerance +/- .500".

Finished size of undershelf.  
 Shelf length = length minus 4.875"  
 Shelf width = width minus 4.25"

### 18 GAUGE TOP w/ GALVANIZED LEGS & UNDERSHELF

| L  | 24" WIDE    | WT. | 30" WIDE    | WT. |
|----|-------------|-----|-------------|-----|
| 24 | FBLGR5-2424 | 34  | --          |     |
| 30 | FBLGR5-3024 | 42  | FBLGR5-3030 | 50  |
| 36 | FBLGR5-3624 | 52  | FBLGR5-3630 | 59  |
| 48 | FBLGR5-4824 | 67  | FBLGR5-4830 | 73  |
| 60 | FBLGR5-6024 | 84  | FBLGR5-6030 | 88  |
| 72 | FBLGR5-7224 | 88  | FBLGR5-7230 | 99  |
| 84 | FBLGR5-8424 | 109 | FBLGR5-8430 | 118 |
| 96 | FBLGR5-9624 | 125 | FBLGR5-9630 | 135 |

### John Boos & Co

3601 S. Banker St. - Effingham, IL 62401 Phone: 217-347-7701 - Fax: 217-347-7705  
 Email: sales@johnboos.com - Web-site: www.johnboos.com



July 2013

**John Boos** is constantly engaged in a program of improving products and therefore reserves the right to change specification without prior notice