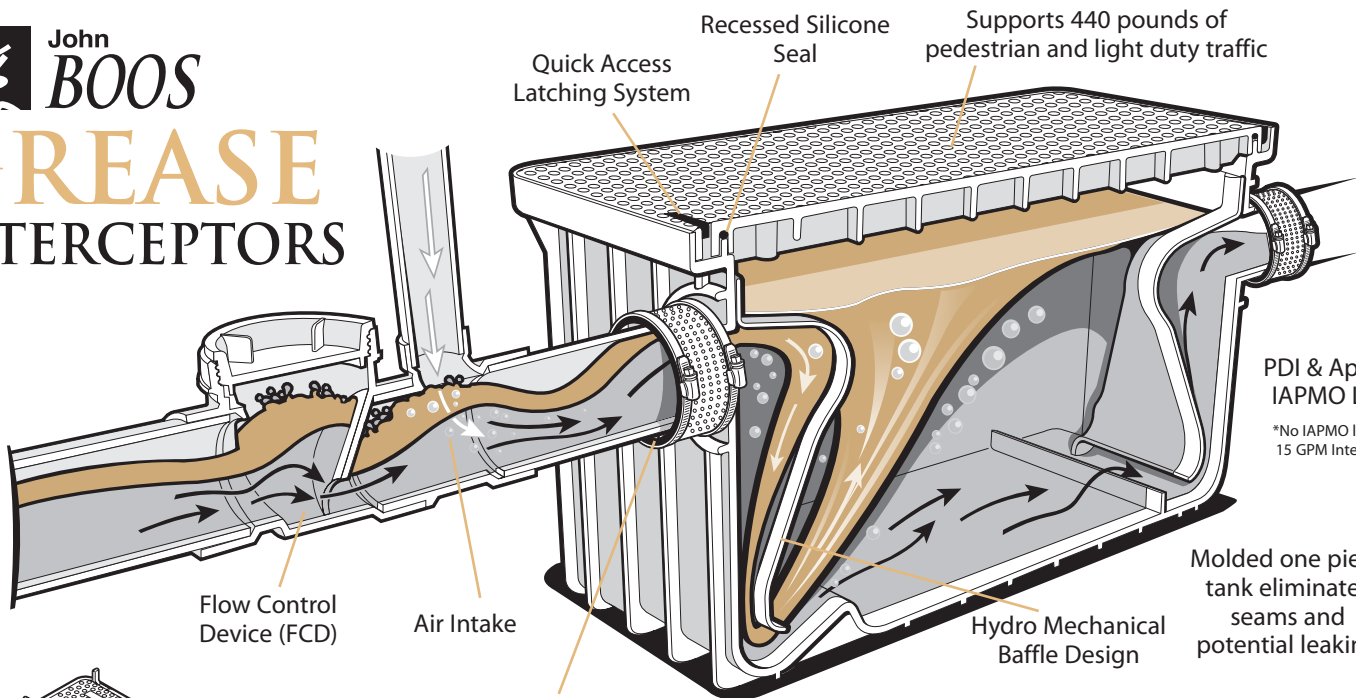


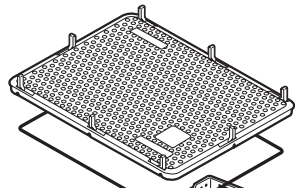


GREASE INTERCEPTORS

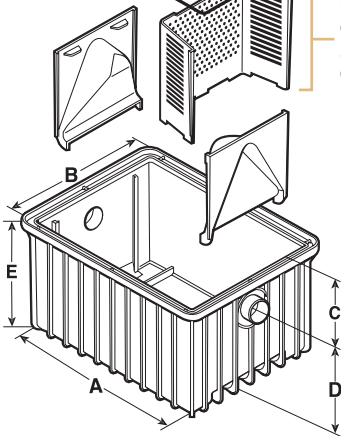


Uses Standard Mechanical Couplings

Can withstand continuous discharge at 220° F



Diffuser baffle only used in 35 and 50 GPM models



TANK DIMENSIONS

GPM/lbs	15/30	20/40	25/50	35/70	50/100
A	23.6"	23.6"	23.6"	31.0"	31.0"
B	17.5"	17.5"	17.5"	23.5"	23.5"
C	3.5"	3.5"	4.1"	5.0"	5.0"
D	12.8"	12.8"	12.2"	12.5"	18.5"
E	16.3"	16.3"	16.3"	17.5"	23.5"

SPECIFICATIONS

Contractor shall install a John Boos Grease Interceptor, Part No. _____ (fill in). A flow control with a rate of _____ gpm will also be installed in accordance to manufacturer's instructions. The unit shall be comprised of engineered thermoplastics to withstand operational temperatures up to 220°F and incorporate a lid with the capability of supporting 440 lbs. The unit will be supported by a 10 year manufacturer's extended warranty. The grease interceptor shall be certified to the current version of the PDI-G101 standard and where locally applicable to ASME112.14.3 or have UPC listing. Contractor shall provide mechanical connectors to connect the grease interceptor.

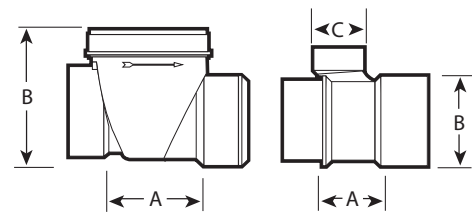
CAPACITIES

US Gallons Per Minute (GPM)	15	20	25	35	50
CAPACITY - Pounds	30	40	50	70	100
Average Efficiency % (ASME 112.4.3)	97.1%	95.4%	92.5%	98.6%	93.9%
Part Number	GI-302-P	GI-402-P	GI-503-P	GI-703-P	GI-1004-P
Grease Capacity lbs actual	65	76.4	74 *	138.5	122 *
Operating Temperature Capabilities	220°F	220°F	220°F	220°F	220°F
Surface Load Capacity	440 lbs	440 lbs	440 lbs	440 lbs	440 lbs
Unit Weight (Empty)	23 lbs	23 lbs	23 lbs	45 lbs	60 lbs
Liquid Capacity	21.6 gal	21.6 gal	21.6 gal	39.4 gal	52.0 gal
Connection size (mechanical) (110 mm available on request)	2"	2"	3"	3"	4"

* Max capacity calculated based on data at PDI G101 test approval. All other models/data quote figures at ASME 112.14.3 Breakdown.

FLOW CONTROL

AIR INTAKE TEE



3" VERSION ILLUSTRATED

FLOW CONTROL DIMENSIONS

AIR INTAKE DIMENSIONS

Connection Iron Pipe Size (Solvent weld)	FLOW CONTROL DIMENSIONS			AIR INTAKE DIMENSIONS		
	2" h x h	3" h x h	4" h x h	2" spg x h	3" spg x h	4" spg x h
A	3.0"	4.23"	6.13"	2.91"	2.67"	3.19"
B	3.84"	5.93"	6.84"	2.71"	4.01"	5.04"
C	-	-	-	2.24"	2.27"	2.72"

ASME 112.14.3



SUB OPS PLUMBING COMMITTEE
NYC APPROVED
MEA 160-08-E

MASSACHUSETTS
STATE PLUMBING BOARD APPROVED

