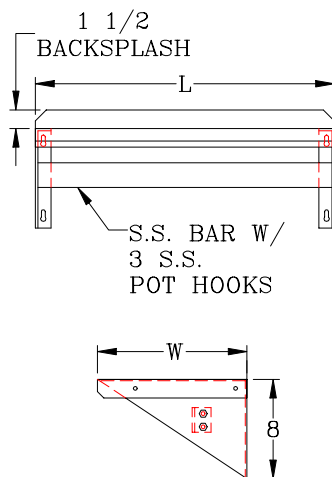


Cucina Mensola

FEATURES:

- Food Service Grade 300 Series 18/8 Stainless
- Polished Welded Joints
- Stainless Pot Rack With SS Adjustable Hooks
- UPSable

Model	Size	Wt
MENSL24-P	12"x24"	16
MENSL36-P	12"x36"	22
MENSL48-P	12"x48"	28



MATERIAL:

Shelf: 18 gauge type 304 stainless steel, # 3 polish, satin finish

Brackets: 18 gauge type 304 stainless steel, # 3 polish, satin finish

Cucina Mensola Grande

FEATURES:

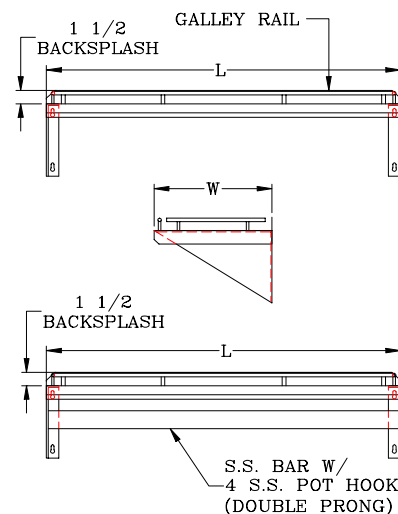
- Food Service / 18-8 Stainless Steel
- Galley Rail
- Variety Of Sizes
- Optional Utensil Bar & Hooks

Shelf w/ Pot Rack & Hooks

Model	Size	Wt
GRWS24-UB	12"x24"	20
GRWS36-UB	12"x36"	22
GRWS48-UB	12"x48"	28

Shelf Only

Model	Size	Wt
GRWS24	12"x24"	16
GRWS36	12"x36"	22
GRWS48	12"x48"	28



John Boos & Co

315 South First Street - Effingham, IL 62401

Phone: 217-347-7701 - Fax: 217-347-7705

Email: sales@johnboos.com - Web-site: www.johnboos.com