



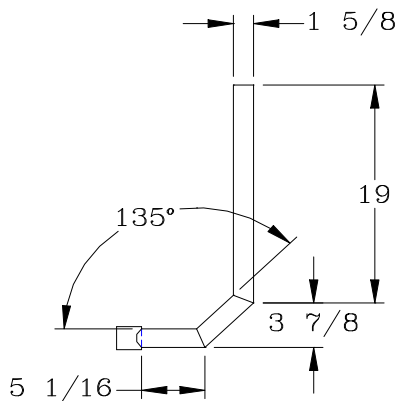
# "L & L-OS" Maple Steam Table Boards

w/ Adjustable Stainless Steel Supports  
w/ Penetrating Oil Finish



## "L" Style Hard Maple

1-1/4" MAPLE STEAM TABLE BOARD								
8" WIDE	WT.	Qty	10" WIDE	WT.	Qty	12" WIDE	WT.	Qty
L043-O	18		L055-O	17		L057-O	20	
L044-O	17		L051-O	21		L058-O	25	
L045-O	20		L052-O	25		L059-O	30	
L046-O	23		L053-O	29		L061-O	35	
L047-O	27		L054-O	33		L062-O	40	
1-3/4" MAPLE STEAM TABLE BOARD								
L001-O	19		L008-O	23		L015-O	29	
L002-O	23		L009-O	29		L016-O	35	
L003-O	28		L010-O	35		L017-O	42	
L004-O	33		L011-O	41		L018-O	49	
L005-O	37		L012-O	47		L019-O	56	



## "L-OS" Style Hard Maple with SUPPORT BRACKET

1-1/4" MAPLE STEAM TABLE BOARD w/ SUPPORT BRACKET								
8" WIDE	WT.	Qty	10" WIDE	WT.	Qty	12" WIDE	WT.	Qty
L043-OS	26		L055-OS	30		L057-OS	34	
L044-OS	30		L051-OS	35		L058-OS	40	
L045-OS	34		L052-OS	40		L059-OS	46	
*L046-OS	45		*L053-OS	50		*L061-OS	57	
*L047-OS	47		*L054-OS	55		*L062-OS	63	
1-3/4" MAPLE STEAM TABLE BOARD w/ SUPPORT BRACKET								
L001-OS	30		L008-OS	34		L015-OS	38	
L002-OS	35		L009-OS	40		L016-OS	45	
L003-OS	40		L010-OS	46		L017-OS	52	
*L004-OS	50		*L011-OS	57		*L018-OS	64	
*L005-OS	55		*L012-OS	63		*L019-OS	71	

\*(Asterisk) denotes Steam Board w/ 3 Bases

### FEATURES:

- \* Hard Rock Maple
- \* Maple is finished with penetrating oil
- \* All models are approved by the National Sanitation Foundation

### CONSTRUCTION:

- \* Stainless Steel Brackets are TIG welded
- Exposed welds are polished to match adjacent surface

### MATERIAL:

Top: Laminated Hard Rock Maple

### OPTIONAL ACCESSORIES

	MODEL #	Qty
ADJUSTABLE BRACKETS		
FRT. CORNERS ROUNDED		
REVERSIBLE		

## John Boos & Co

315 South First Street - Effingham, IL 62401

Phone: 217-347-7701 - Fax: 217-347-7705

Email: sales@johnboos.com - Web-site: www.johnboos.com

John Boos is constantly engaged in a program of improving products and therefore reserves the right to change specification without prior notice