



# "M" Galvanized Cutting Tables

w/ 3/4" High Density Polyethylene Flat Top  
w/ Galvanized Base and Bracing



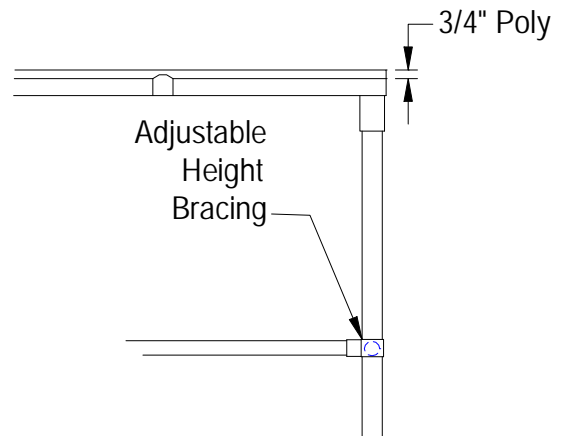
**AUTOQUOTES**



3/4" POLY TOP w/ GALVANIZED BASE and BRACING					
24"WIDE	Qty	30"WIDE	Qty	36"WIDE	Qty
M001		M008		M015	
M002		M009		M016	
M003		M010		M017	
M004		M011		M018	
M005		M012		M019	
M006		M013		M020	
M006A		M013A		M020A	
M007		M014		M021	

**FEATURES:**

- \* 3/4" thick **High Density Polyethylene Top**, sectioned per NSF regulation also available with 1/2" Or 1" thick High Density Polyethylene and 1 1/2" thick Hard Rock Maple Top, top style "SCT" flat top
- \* One piece High Density Polyethylene Top available at no extra charge must specify
- \* Top is held in place by welded clips, removable for ease in cleaning
- \* Galvanized Base, Bracing
- \* Adjustable bullet feet
- \* Shipped knocked-down, easy - to - assemble
- \* Optional drawers, casters, pot racks, etc. available
- \* All models are approved by the National Sanitation Foundation and the U.S. Department of Agriculture.



**CONSTRUCTION:**

- \* Galvanized Bases are MIG welded

**MATERIAL:**

- Top: High Density Polyethylene
- Frame: 1 1/2" Square O.D. 18 gauge
- Bracing: 1 1/4" Round O.D. 18 gauge
- Legs: 1 5/8" Round O.D., 16 gauge
- Feet: 1" adjustable galvanized bullet feet

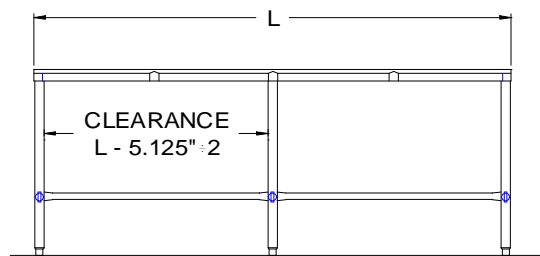
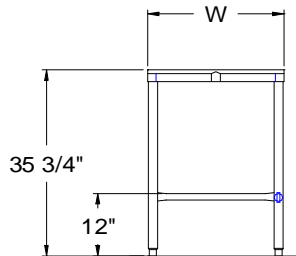
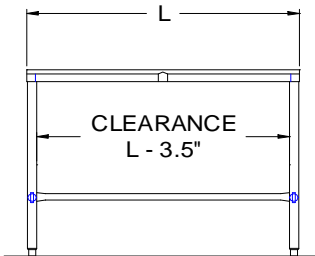
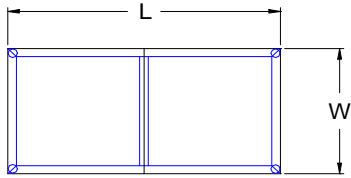
**OPTIONAL ACCESSORIES**

	MODEL #	Qty
DRAWER		
DRAWER LOCK		
CASTERS		
LOWER SHELVES		
MEAT BOAT RACK		
PAPER HOLDER		
WELDED SET-UP		

**John Boos & Co**

3601 S. Banker Street - Effingham, IL 62401  
 Phone: 217-347-7701 - Fax: 217-347-7705  
 Email: sales@johnboos.com - Web-site: www. johnboos.com

## DETAILED SPECIFICATIONS



Shipped Standard Welded Set-Up

Units 7 ft. and larger are furnished with six legs.

All dimensions are typical.

Tolerance +/- .500".

### 3/4" HIGH DENSITY POLYETHYLENE TOP & BRACING

L	24" WIDE	WT.	30" WIDE	WT.	36" WIDE	WT.
36	M001	55	M008	62	M015	69
48	M002	64	M009	73	M016	83
60	M003	78	M010	90	M017	102
72	M004	91	M011	102	M018	118
84	M005	111	M012	128	M019	145
96	M006	121	M013	134	M020	158
108	M006A	131	M013A	148	M020	171
120	M007	140	M014	162	M021	184

### John Boos & Co

3601 S. Banker Str - Effingham, IL 62401 Phone: 217-347-7701 - Fax: 217-347-7705

Email: sales@johnboos.com - Web-site: www.johnboos.com



July 2013

**John Boos** is constantly engaged in a program of improving products and therefore reserves the right to change specification without prior notice