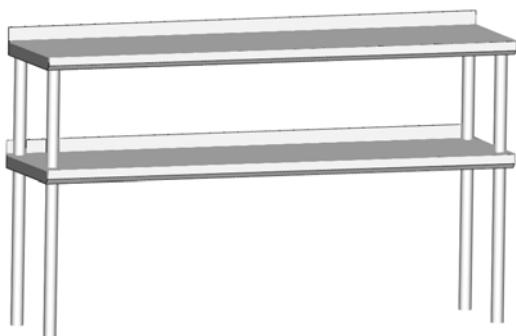
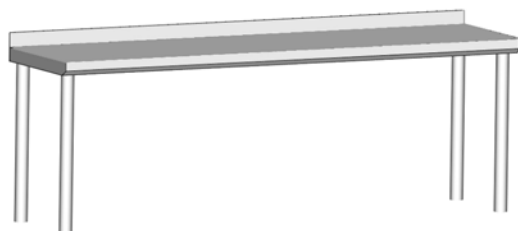




# "OS01" & "OS01S" Stainless Steel OVERSHELVES

Model OS01 Single Stainless Steel Overshelf

Model OS01S Double Stainless Steel Overshelf



AUTOQUOTES



## SINGLE

For Maple Top Tables		For Stainless Steel Top Table	
MODEL	LENGTH	MODEL	LENGTH
OS01A	12"X36"	OS01AS	12"X36"
OS01	12"X48"	OS01S	12"X48"
OS02	12"X60"	OS02S	12"X60"
OS03	12"X72"	OS03S	12"X72"
OS04	12"X84"	OS04S	12"X84"
OS05	12"X96"	OS05S	12"X96"
OS05A	12"X108"	OS05AS	12"X108"
OS06	12"X120"	OS06S	12"X120"

NOTE: "OVERSHELVES" standard table top rear mounted for Center Mount, use suffix "-C" I.E. OS01-C same price

## DOUBLE

For Maple Top Tables		For Stainless Steel Top Table	
MODEL	LENGTH	MODEL	LENGTH
OS07A	12"X36"	OS07AS	12"X36"
OS07	12"X48"	OS07S	12"X48"
OS08	12"X60"	OS08S	12"X60"
OS09	12"X72"	OS09S	12"X72"
OS10	12"X84"	OS10S	12"X84"
OS11	12"X96"	OS11S	12"X96"
OS11A	12"X108"	OS11AS	12"X108"
OS12	12"X120"	OS12S	12"X120"

### FEATURES:

- \* Stainless Steel Shelf  
16 gauge, type 300 stainless steel with # 4 polish, satin finish
- \* Uprights are 1 1/4" O.D. Round 18 gauge tubing, type 300 stainless steel with # 4 polish, satin finish
- \* **Rear or Center Mount** (Please Specify)
- \* Rear mount with 1-1/2" turn-up
- \* Center Mount - No turn-up
- \* Single Overshelves are mounted 18" above table top
- \* Double overshelf is mounted 12" above first shelf
- \* All Overshelves feature **Welded-Set-Up**
- \* All models are approved by the National Sanitation Foundation

### CONSTRUCTION:

- \* Stainless Steel Overshelves are TIG welded  
Exposed welds are polished to match adjacent surfaces

### MATERIAL:

Shelf 16 gauge type 300 stainless steel, # 4 polish, satin finish  
Uprights: 1 1/4" Round O.D., 18 gauge type 300 tubular stainless steel # 4 polish, satin finish

### OPTIONAL ACCESSORIES

	MODEL
REAR MOUNT	
CENTER MOUNT	

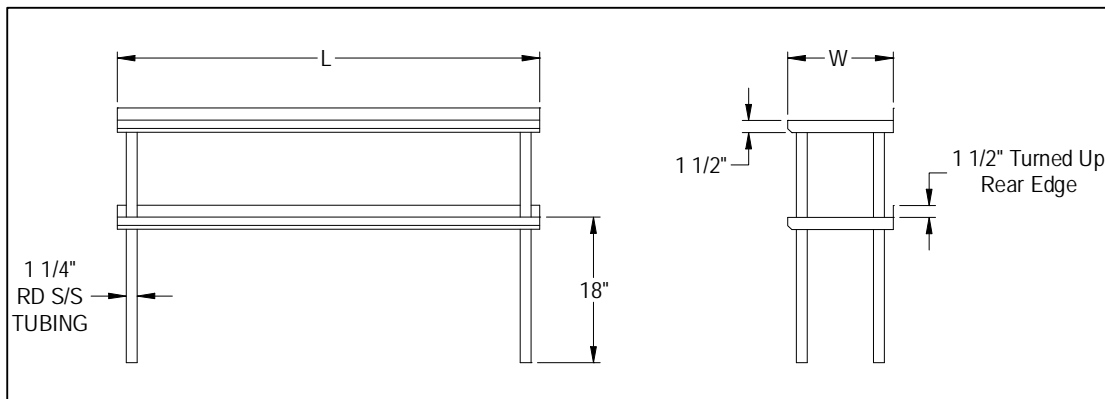
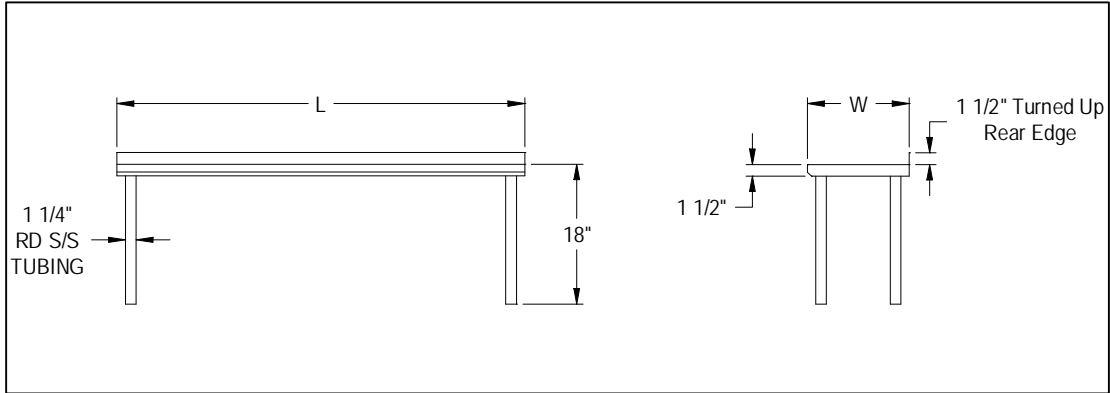
## John Boos & Co

3601 S. Banker Street - Effingham, IL 62401

Phone: 217-347-7701 - Fax: 217-347-7705

Email: sales@johnboos.com - Web-site: www. johnboos.com

## DETAILED SPECIFICATIONS



Shipped Welded set-Up

Units 7 ft. and longer are furnished with extra support bracket

All dimensions are typical.

Tolerance +/- .500".

### SINGLE

For Maple Top Tables		For Stainless Steel Top Table		WT.
MODEL	LENGTH	MODEL	LENGTH	
OS01A	12"X36"	OS01AS	12"X36"	14
OS01	12"X48"	OS01S	12"X48"	16
OS02	12"X60"	OS02S	12"X60"	19
OS03	12"X72"	OS03S	12"X72"	22
OS04	12"X84"	OS04S	12"X84"	25
OS05	12"X96"	OS05S	12"X96"	28
OS05A	12"X108"	OS05AS	12"X108"	31
OS06	12"X120"	OS06S	12"X120"	34

### DOUBLE

For Maple Top Tables		For Stainless Steel Top Table		WT.
MODEL	LENGTH	MODEL	LENGTH	
OS07A	12"X36"	OS07AS	12"X36"	29
OS07	12"X48"	OS07S	12"X48"	31
OS08	12"X60"	OS08S	12"X60"	37
OS09	12"X72"	OS09S	12"X72"	43
OS10	12"X84"	OS10S	12"X84"	49
OS11	12"X96"	OS11S	12"X96"	55
OS11A	12"X108"	OS11AS	12"X108"	61
OS12	12"X120"	OS12S	12"X120"	67

**John Boos & Co**

3601 S. Banker Str - Effingham, IL 62401 Phone: 217-347-7701 - Fax: 217-347-7705

Email: sales@johnboos.com - Web-site: www.johnboos.com



July 2013