



**John
BOOS**
Since 1887

ITEM #: _____ QTY: _____

MODEL #: _____

PROJECT NAME: _____

3601 S. Banker St. Effingham, IL 62401 • P.O. BOX 609 • Ph: (888) 431-2667 • Fax: (800) 433-2667

PRO-BOWL DROP-IN HAND SINK



FEATURES:

- FABRICATED
- ALL SINK BOWLS HAVE LARGE LIBERAL RADII CORNERS
- INCLUDES BASKET DRAIN
- DECK MOUNT FAUCET HOLES - 4" ON-CENTER

CONSTRUCTION:

- BOWL: STAINLESS STEEL TOPS ARE TIG WELDED, EXPOSED WELDS ARE POLISHED TO MATCH ADJACENT SURFACE.

MATERIAL:

- BOWL: TYPE 300 STAINLESS STEEL POLISH, SATIN FINISH
- BRACKET: TYPE 300 STAINLESS STEEL POLISH, SATIN FINISH



PB-DISINK101410-2



PB-DISINK101410-3

PRO-BOWL DROP-IN HAND SINKS

MODEL #	QTY
PB-DISINK101410-2	
PB-DISINK101410-3	

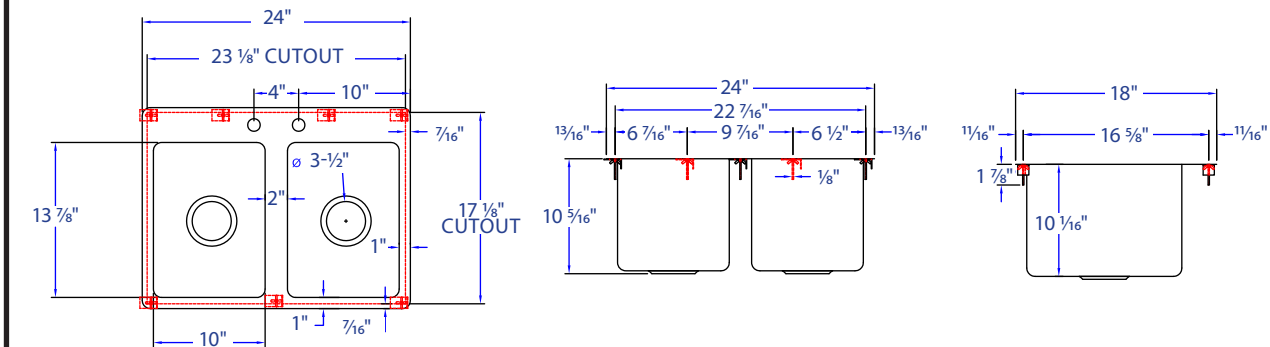
****CALL FACTORY FOR CUT OUT SIZES.****

OPTIONAL ACCESSORIES

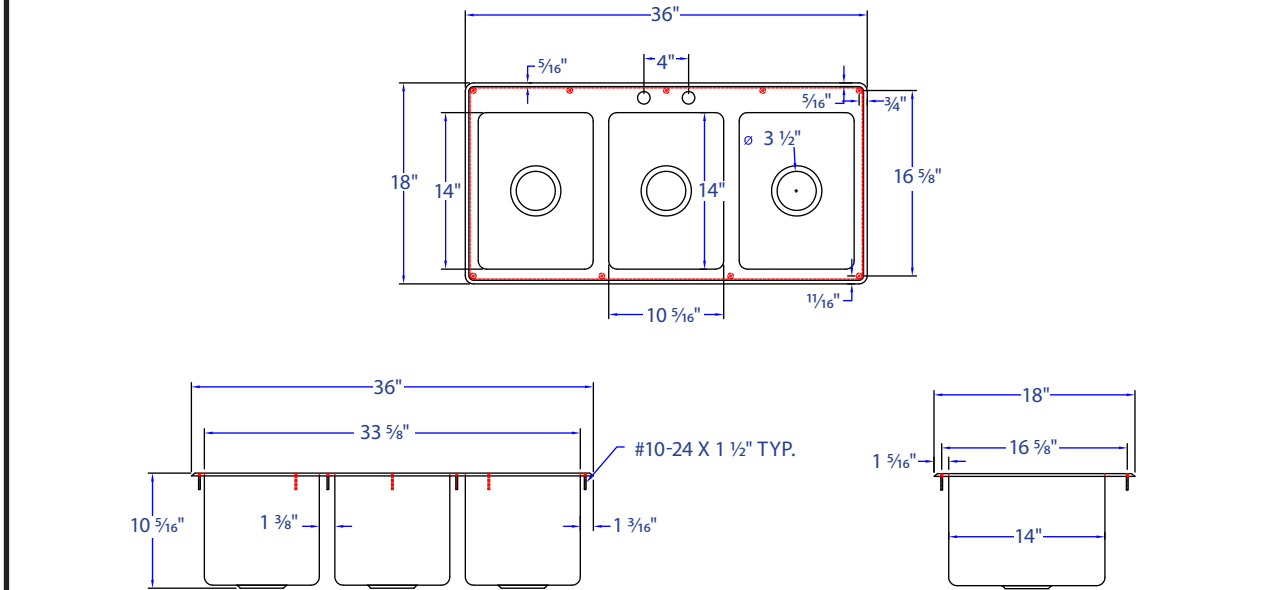
DESCRIPTION	QTY
FAUCETS	
SIDE SPASH	
ADA WRIST BLADES	
TOWEL DISPENSER	
LEVER WASTES	
OVER FLOWS	
P-TRAPS	

PRO-BOWL DROP-IN HAND SINKS DETAILED SPECIFICATIONS

PB-DISINK101410-2



PB-DISINK101410-3



PRO-BOWL DROP-IN HAND SINKS

MODEL #	SINK SIZE	FAUCET LOCATION	INCLUDES	SIDE SPLASH
PB-DISINK101410-2	10" X 14" X 10" (2 SINK BOWLS)	DECK MOUNT 4" O.C.	BASKET DRAIN	N/A
PB-DISINK101410-3	10" X 14" X 10" (3 SINK BOWLS)	DECK MOUNT 4" O.C.	BASKET DRAIN	N/A

CALL FACTORY FOR CUT OUT SIZES. WEIGHTS ARE SUBJECT TO ADDITIONAL PACKAGING

John Boos & Co. is constantly engaged in a program of improving products and therefore reserves the right to change specifications without prior notice.