



**John
BOOS**
Since 1887

ITEM #: _____ QTY: _____
 MODEL #: _____
 PROJECT NAME: _____

3601 S. Banker St. Effingham, IL 62401 • P.O. BOX 609 • Ph: (888) 431-2667 • Fax: (800) 433-2667

PRO-BOWL DROP-IN HAND SINK



FEATURES:

- ONE PIECE DEEP DRAWN BOWL
- ALL SINK BOWLS HAVE LARGE LIBERAL RADII CORNERS
- INCLUDES BASKET DRAIN
- DECK MOUNT FAUCET HOLES - 4" ON-CENTER

CONSTRUCTION:

- BOWL: STAINLESS STEEL TOPS ARE TIG WELDED, EXPOSED WELDS ARE POLISHED TO MATCH ADJACENT SURFACE.

MATERIAL:

- BOWL: TYPE 300 STAINLESS STEEL POLISH, SATIN FINISH
- BRACKET: TYPE 300 STAINLESS STEEL POLISH, SATIN FINISH



SK01 (NON-CSA CERTIFIED)



PB-DISINK101410



PB-DISINK101405



PB-DISINK101410-P-SSLR



PB-DISINK101405-P-SSLR

PRO-BOWL DROP-IN HAND SINKS

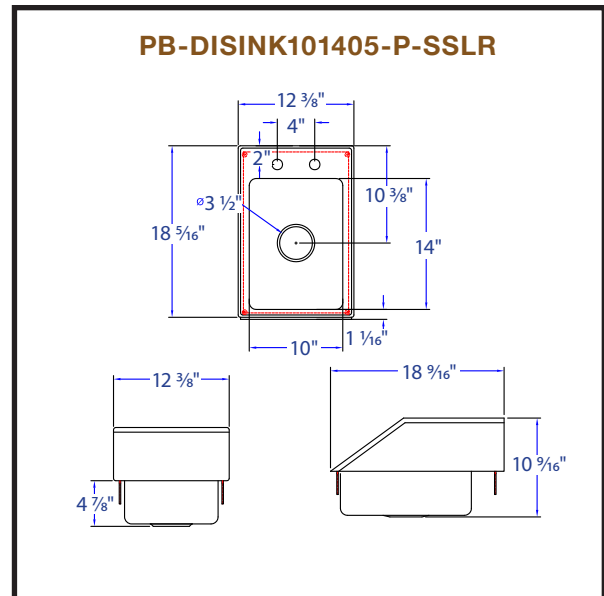
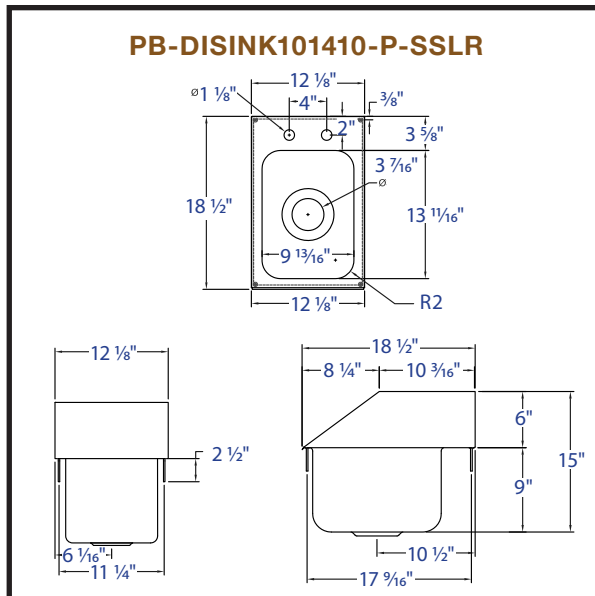
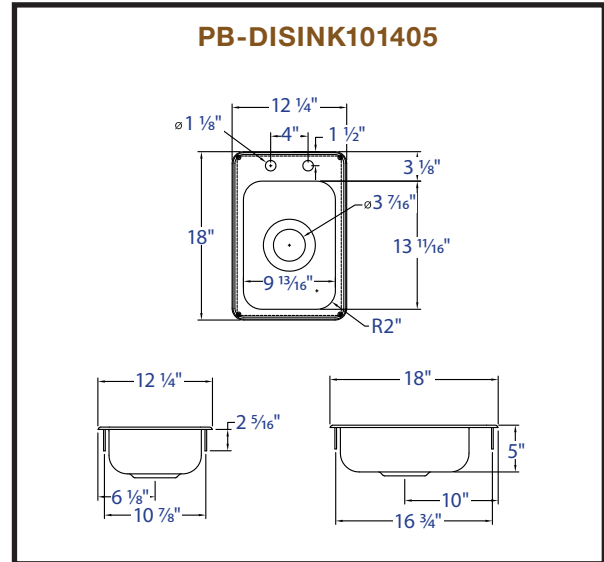
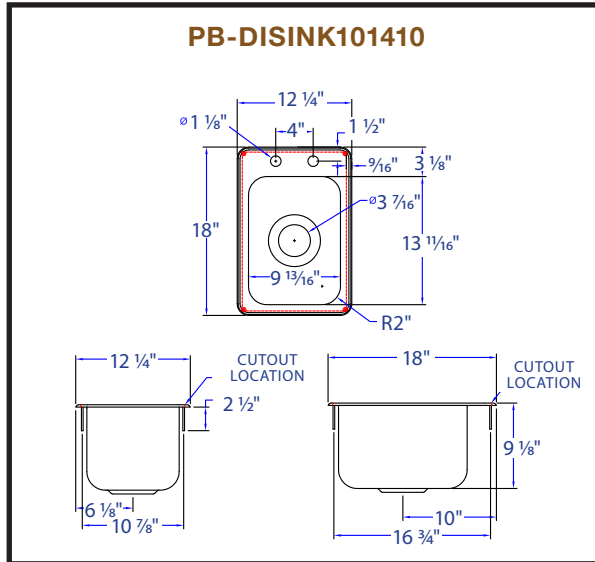
MODEL #	QTY
SK01 (NON-CSA)	
PB-DISINK101410	
PB-DISINK101405	
PB-DISINK101410-P-SSLR	
PB-DISINK101410-SSLR	
PB-DISINK101405-P-SSLR	
PB-DISINK101405-SSLR	

OPTIONAL ACCESSORIES

DESCRIPTION	QTY
FAUCETS	
SIDE SPASH	
ADA WRIST BLADES	
TOWEL DISPENSER	
LEVER WASTES	
OVER FLOWS	
P-TRAPS	

****CALL FACTORY FOR CUT OUT SIZES.****

PRO-BOWL DROP-IN HAND SINKS DETAILED SPECIFICATIONS



PRO-BOWL DROP-IN HAND SINKS

MODEL #	SINK SIZE	FAUCET LOCATION	INCLUDES	SIDE SPLASH
SK01 (NON-CSA)	12.5" X 10.5" X 6"	DECK MOUNT	BASKET DRAIN	N/A
PB-DISINK101410	14" X 10" X 10"	DECK MOUNT	BASKET DRAIN	N/A
PB-DISINK101405	14" X 10" X 5"	DECK MOUNT	BASKET DRAIN	N/A
PB-DISINK101410-P-SSLR	14" X 10" X 10"	DECK MOUNT	BASKET DRAIN, FAUCET PBF-4-DLF	LH & RH
PB-DISINK101410-SSLR	14" X 10" X 10"	DECK MOUNT	BASKET DRAIN	LH & RH
PB-DISINK101405-P-SSLR	14" X 10" X 5"	DECK MOUNT	BASKET DRAIN, FAUCET PBF-4-DLF	LH & RH
PB-DISINK101405-SSLR	14" X 10" X 5"	DECK MOUNT	BASKET DRAIN	LH & RH

CALL FACTORY FOR CUT OUT SIZES. WEIGHTS ARE SUBJECT TO ADDITIONAL PACKAGING

John Boos & Co. is constantly engaged in a program of improving products and therefore reserves the right to change specifications without prior notice.