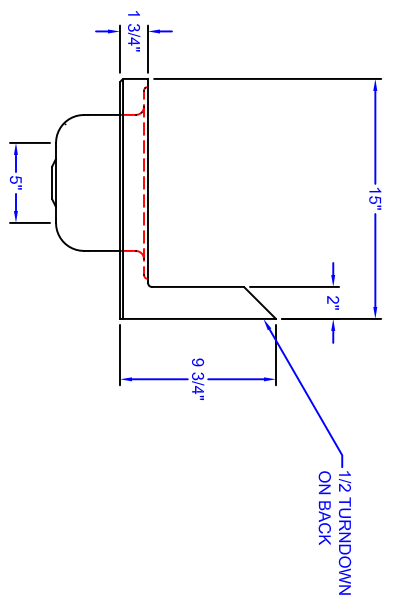
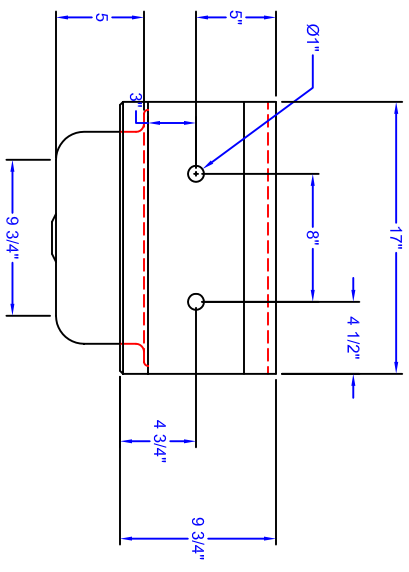
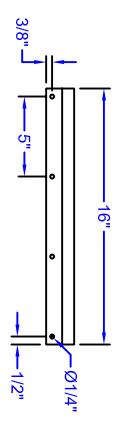


MOUNTING BRACKET



MATERIALS  
 DECK: 18GA. S.S.  
 BASE: S.S.

REVISIONS:

**JOHN BOOS & CO.**

315 SOUTH FIRST STREET  
 P.O. BOX 609  
 EFFINGHAM, ILL. 62401  
 (217) 347-7701 / FAX (217) 347-7705



E-MAIL: sales@johnboos.com Web Site: www.johnboos.com

**JOHN BOOS & COMPANY**

**PRO BOWL SINKS**

THIS DRAWING AND THE DESIGN SHOWN ARE THE PROPERTY OF JOHN BOOS & CO. REPRODUCTION, INFRINGEMENT OR ANY OTHER UNAUTHORIZED USE OF THIS DRAWING WITHOUT THE WRITTEN CONSENT OF JOHN BOOS & CO. WILL BE SUBJECT TO LEGAL ACTION.

SHEET NUMBER:	
QUAD LOCATION:	
ROOM NUMBER:	
ITEM NUMBER:	
QUANTITY:	
MODEL NUMBER:	PBHS-W-1410-80C
SCALE:	1"=1'
DATE:	4-25-03
DRAWN BY:	JK
SALES ORDER NUMBER:	