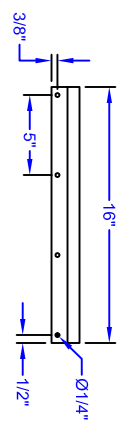
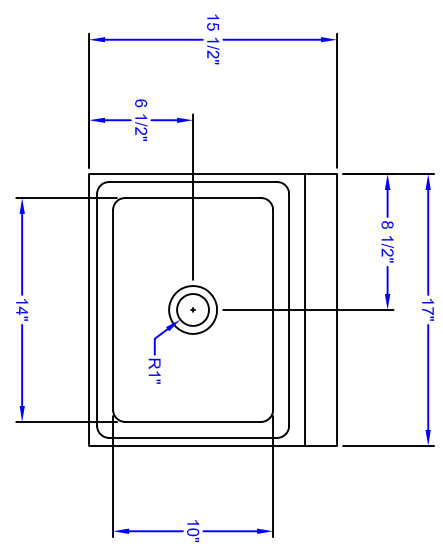
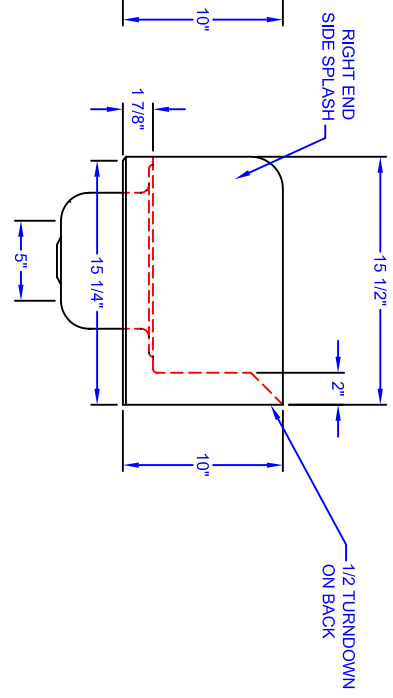
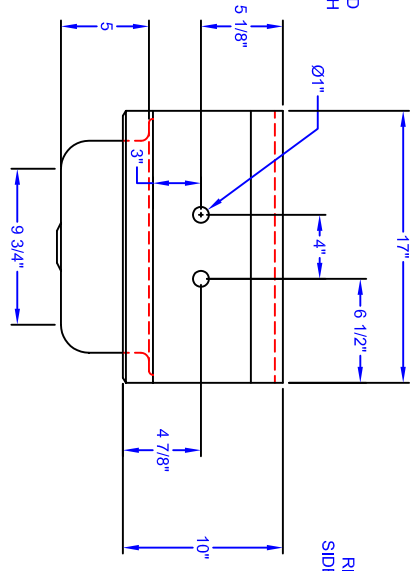
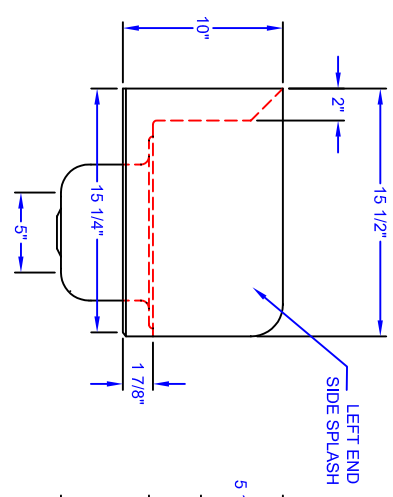




MOUNTING BRACKET



PBHS-4  
 NOT TO SCALE  
 005566SA  
 QTY: 1  
 4" O.C. SPLASH MOUNT FAUCET  
 W/ 3.5" GOOSENECK SPOUT



MATERIALS  
 DECK: 18GA. S.S.  
 BASE: S.S.

REVISIONS:

JOHN BOOS & CO.

315 SOUTH FIRST STREET  
 P.O. BOX 609  
 EFFINGHAM, ILL. 62401  
 (217) 347-7701 / FAX (217) 347-7705



E-MAIL: sales@johnboos.com Web Site: www.johnboos.com

JOHN BOOS & COMPANY  
 PRO BOWL SINKS

THIS DRAWING AND THE DESIGN SHOWN ARE THE PROPERTY OF JOHN BOOS & CO. REPRODUCTION, INFRINGEMENT OR ANY OTHER UNAUTHORIZED USE OF THIS DRAWING WITHOUT THE WRITTEN CONSENT OF JOHN BOOS & CO. WILL BE SUBJECT TO LEGAL ACTION.

SHEET NUMBER:	QUAD LOCATION:	ROOM NUMBER:	ITEM NUMBER:	MODEL NUMBER:	SCALE:	DATE:	DRAWN BY:	SALES ORDER NUMBER:
				PBHS-W-1410-P-SSLR	1"=1'	6-13-08	CS	