
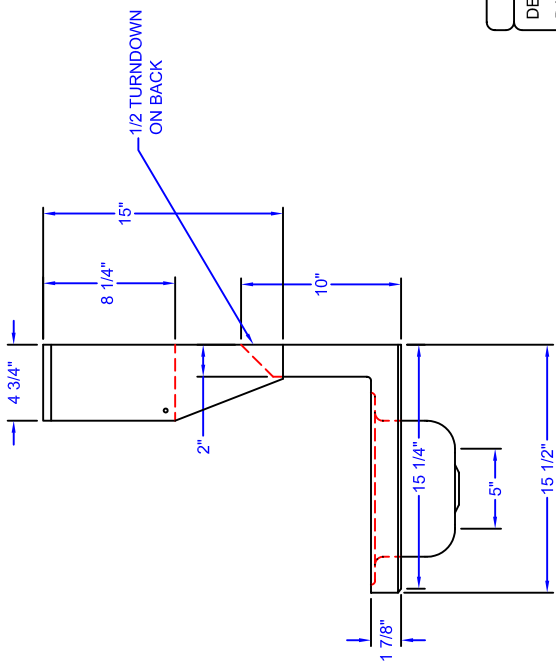
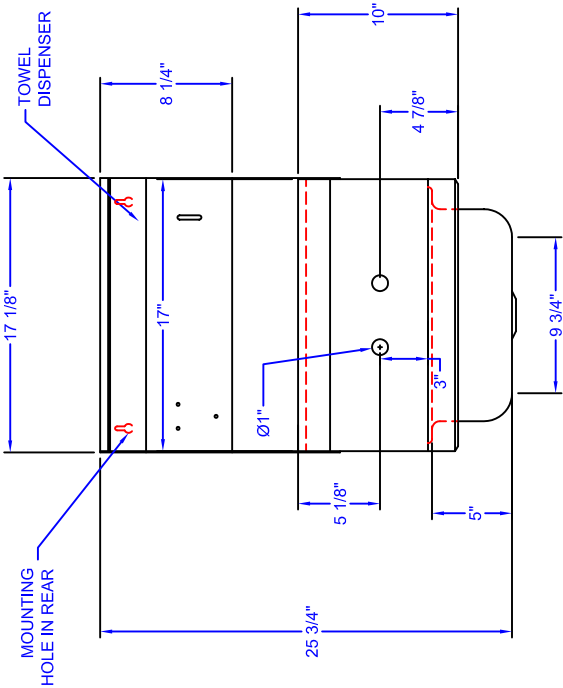
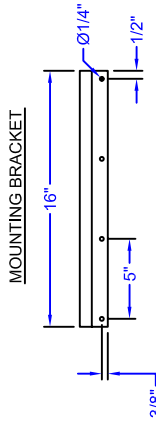
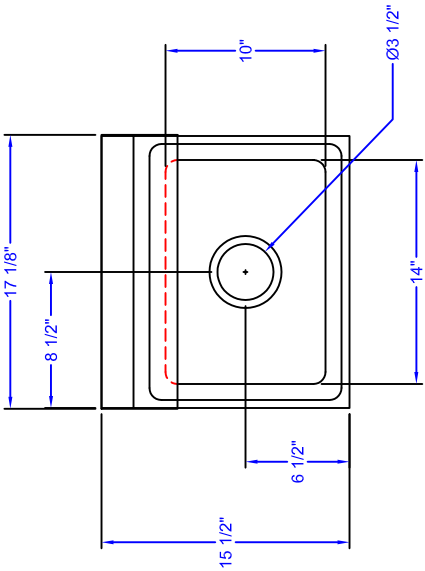
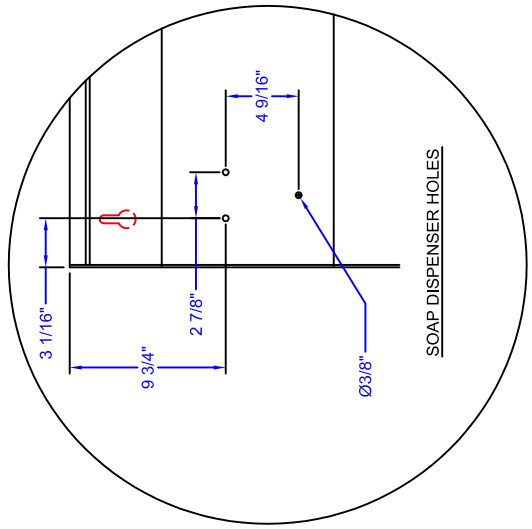




PB-SD-1
NOT TO SCALE
QTY: 1

005811

SOAP DISPENSER, WALL MOUNT

MATERIALS
DECK: SS
BASE:

SHEET NUMBER:
QUAD LOCATION:
ROOM NUMBER: HANDSINKS
ITEM NUMBER:
QUANTITY:
MODEL NUMBER: PBHS-W-1410-SDTD
SCALE: 1"=1'
DATE: 2-5-07
DRAWN BY: MB
SALES ORDER NUMBER:

JOHN BOOS & COMPANY
PRO BOWL SINKS

THIS DRAWING AND THE DESIGN SHOWN ARE THE PROPERTY OF JOHN BOOS & CO. REPRODUCTION, INFRINGEMENT OR ANY OTHER UNAUTHORIZED USE OF THIS DRAWING WITHOUT THE WRITTEN CONSENT OF JOHN BOOS & CO. WILL BE SUBJECT TO LEGAL ACTION.

REVISIONS:

JOHN BOOS & CO.

315 SOUTH FIRST STREET
P.O. BOX 609
EFFINGHAM, ILL. 62401
(217) 347-7701 / FAX (217) 347-7705

E-MAIL: sales@johnboos.com Web Site: www.johnboos.com

