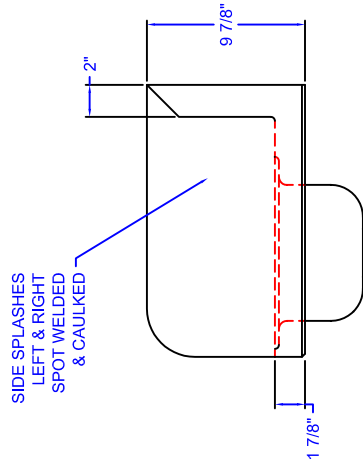
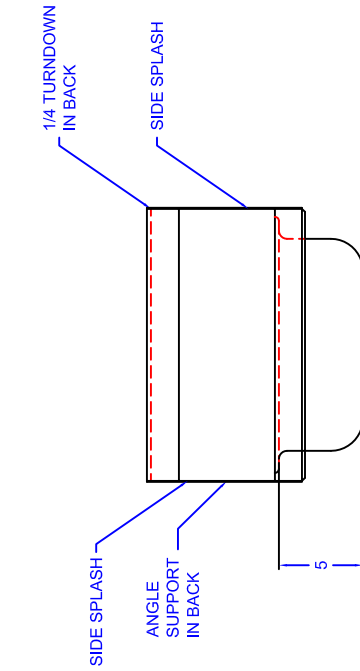
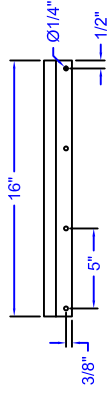


MOUNTING BRACKET



MATERIALS  
 DECK: 16GA. S.S.  
 BASE: S.S.

SHEET NUMBER:
QUAD LOCATION:
ROOM NUMBER:
ITEM NUMBER: <b>HANDSINKS</b>
QUANTITY:
MODEL NUMBER: <b>PBHS-W-1410-2DM-SSLR</b>
SCALE: <b>1"=1'</b>
DATE: <b>4-6-05</b>
DRAWN BY: <b>JK</b>
SALES ORDER NUMBER:

**JOHN BOOS & COMPANY**  
**PRO BOWL SINKS**

THIS DRAWING AND THE DESIGN SHOWN ARE THE PROPERTY OF JOHN BOOS & CO. REPRODUCTION, INFRINGEMENT OR ANY OTHER UNAUTHORIZED USE OF THIS DRAWING WITHOUT THE WRITTEN CONSENT OF JOHN BOOS & CO. WILL BE SUBJECT TO LEGAL ACTION.

REVISIONS:

**JOHN BOOS & CO.**

315 SOUTH FIRST STREET  
 P.O. BOX 609  
 EFFINGHAM, ILL. 62401  
 (217) 347-7701 / FAX (217) 347-7705

E-MAIL: [sales@johnboos.com](mailto:sales@johnboos.com) Web Site: [www.johnboos.com](http://www.johnboos.com)

