

**GENERAL NOTES:**

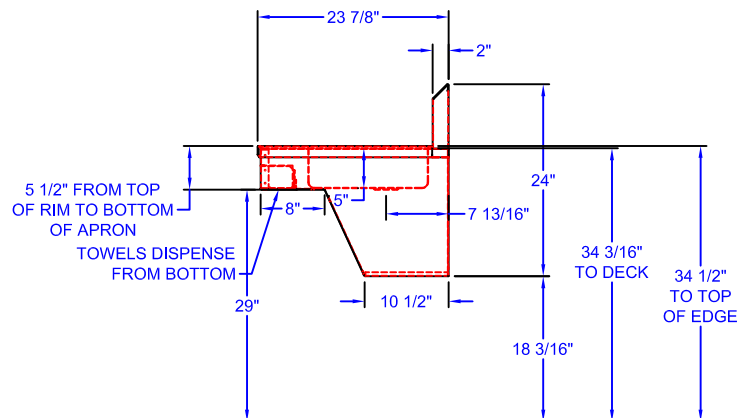
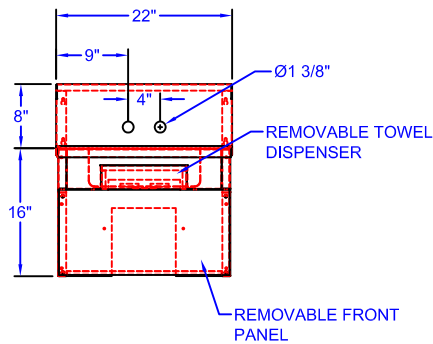
**MATERIALS**

- \*18GA. S.S. DECK
- \*18GA. S.S. BASE

**FEATURES:**

- \*WELDED SETUP CONSTRUCTION

**MOUNTING BRACKET**



PBF-4SM-5G NOT TO SCALE	BKF-4SM-XX & BKF-SPT-5G	QTY: 1
4" O.C. SPLASH MOUNT FAUCET W/ 5" GOOSENECK SPOUT		
		
PB-WR NOT TO SCALE	005569	QTY: 1 PAIR
WRIST LEVERS, FOR HAND SINK		
		
PBDR-2 NOT TO SCALE	005436	QTY: 1
MINI BASKET DRAIN		
		

**NO SPLASH**

**JOHN BOOS & CO.**

315 SOUTH FIRST STREET  
P.O. BOX 609  
EFFINGHAM, IL. 62401  
(217) 347-7701 / FAX (217) 347-7705

E-MAIL: sales@johnboos.com Web Site: www.johnboos.com

REVISIONS:

**JOHN BOOS & COMPANY**

THIS DRAWING AND THE DESIGN SHOWN ARE THE PROPERTY OF JOHN BOOS & CO. REPRODUCTION, INFRINGEMENT OR ANY OTHER UNAUTHORIZED USE OF THIS DRAWING WITHOUT THE WRITTEN CONSENT OF JOHN BOOS & CO. WILL BE SUBJECT TO LEGAL ACTION.

DRAWN BY:	DATE:	SCALE:	QUAD LOCATION:	QUANTITY:	MODEL NUMBER:	ITEM NUMBER:	ROOM NUMBER:	SHEET NUMBER:
	1-16-07	1/2"=1'			PBHS-ADA-P-STD			