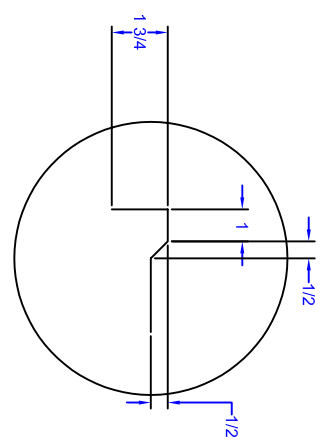
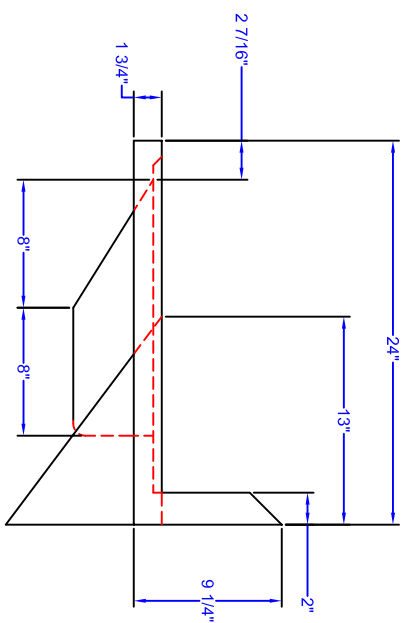
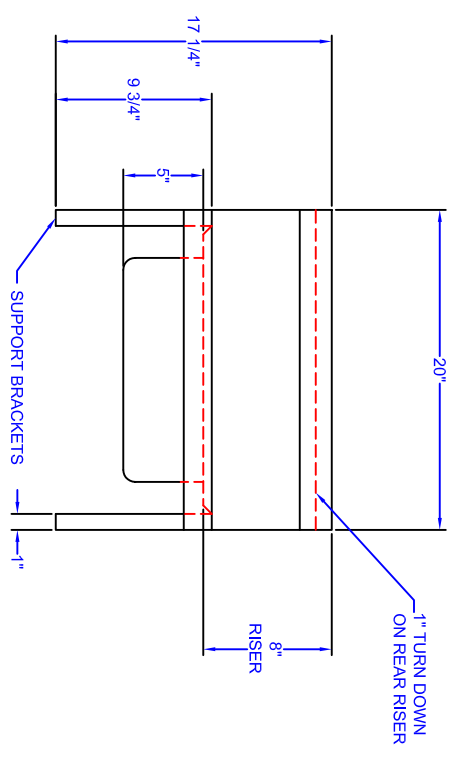


HARDWARE:
- PBF-4-D #3525 FISHER FAUCET WITH 4" GOOSENECK SPOUT



MARINE EDGE DETAIL



MATERIALS
DECK: 18GA. S.S.
BASE: S.S.

REVISIONS:

JOHN BOOS & CO.

315 SOUTH FIRST STREET
P.O. BOX 609
EFFINGHAM, ILL. 62401
(217) 347-7701 / FAX (217) 347-7705



E-MAIL: sales@johnboos.com Web Site: www.johnboos.com

JOHN BOOS & COMPANY

PRO BOWL SINKS

THIS DRAWING AND THE DESIGN SHOWN ARE THE PROPERTY OF JOHN BOOS & CO. REPRODUCTION, INFRINGEMENT OR ANY OTHER UNAUTHORIZED USE OF THIS DRAWING WITHOUT THE WRITTEN CONSENT OF JOHN BOOS & CO. WILL BE SUBJECT TO LEGAL ACTION.

SHEET NUMBER:	QUAD LOCATION:	ROOM NUMBER:	ITEM NUMBER:	QUANTITY:	MODEL NUMBER:	SCALE:	DATE:	DRAWN BY:	SALES ORDER NUMBER:
					PBHS-W-1416ADAD	1"=1'	9-30-02	JK	