



"S14B" Stainless Steel Top Work Tables

w/ 14 Gauge Stainless Steel Work Top
w/ Stainless Steel Base and Bracing

AUTOQUOTES

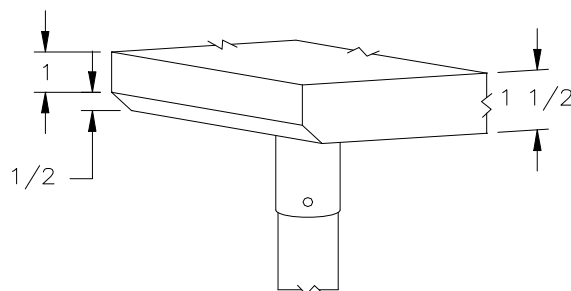


14 GAUGE TOP w/ BRACING					
24"WIDE	Qty	30"WIDE	Qty	36"WIDE	Qty
S14035		S14041		-	
S14036		S14042		S14047	
S14037		S14043		S14048	
S14038		S14044		S14049	
S14038A		S14044A		S14049A	
S14039		S14045		S14050	
S14039A		S14045A		S14050A	
S14040		S14046		S14051	

FEATURES:

- * 14 Gauge Stainless Steel Top
Type 300 stainless steel with # 4 polish, satin finish
- * Top is **Sound Deadened**
- * Reinforced with 1"x2" channel running entire length of table
- * 1 1/2" **Stallion Edge** on front and rear with side edges 90 degree bend down for table line-up
- * Stainless Steel Base and Bracing
Type 300 stainless steel with # 4 polish, satin finish
- * Bracing adjustable to desired height
- * Adjustable bullet feet
- * Shipped knocked-down, easy - to - assemble
- * Optional drawers, casters, pot racks, etc. available
- * All models are approved by the National Sanitation Foundation and the U.S. Department of Agriculture.

Note: "S14B" standard w/stallion edge front and rear.
For 1 1/2" backplash, use prefix "U" I.E. US14035, same price.



STALLION
SAFETY
EDGE

CONSTRUCTION:

Top: Stainless Steel Tops are TIG welded, Exposed welds are polished to match adjacent surface.

MATERIAL:

- Top: 14 gauge stainless Steel
Type 300 stainless steel with # 4 polish, satin finish
- Bracing: 1 1/4" Round O.D. 18 gauge type 300 tubular stainless steel
4 polish, satin finish
- Legs: 1 5/8" Round O.D., 16 gauge type 300 tubular stainless steel
4 polish, satin finish
- Gussets: Stainless steel
- Feet: 1" adjustable stainless steel bullet feet

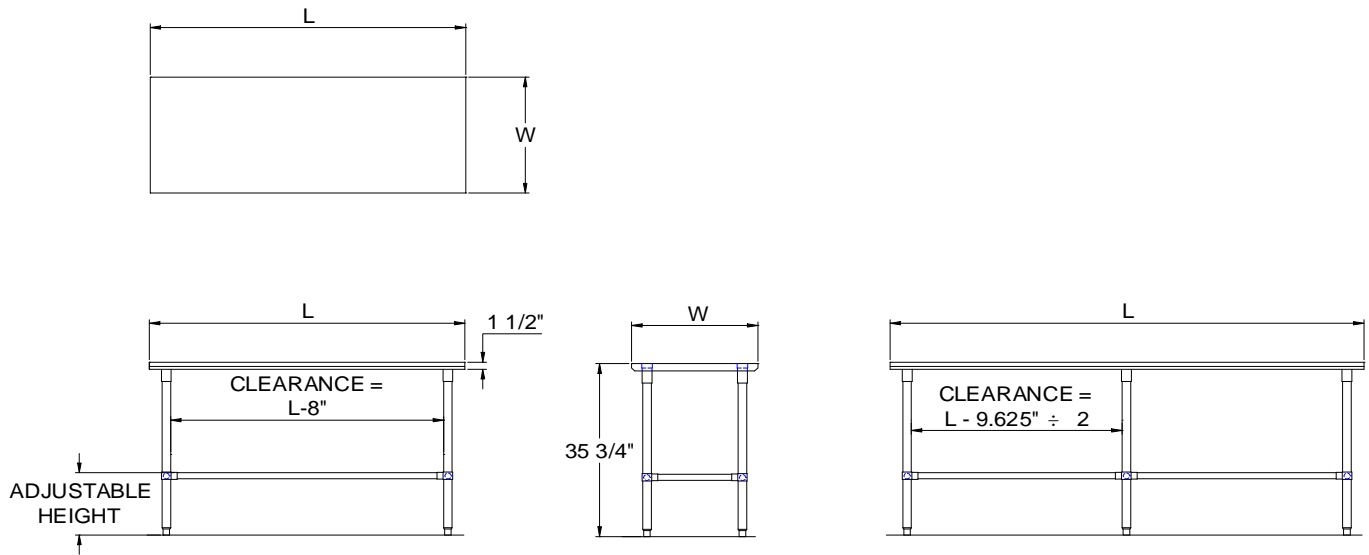
OPTIONAL ACCESSORIES

	MODEL #	Qty
DRAWER		
DRAWER LOCK		
CASTERS		
OVERSHELVES		
SINKS		
POT RACK		
WELDED SET-UP		

John Boos & Co

3601 S. Banker Street - Effingham, IL 62401
Phone: 217-347-7701 - Fax: 217-347-7705
Email: sales@johnboos.com - Web-site: www. johnboos.com

DETAILED SPECIFICATIONS



All units ship unassembled for reduced shipping cost.

Units 7 ft. and larger are furnished with six legs.

All dimensions are typical.

Tolerance +/- .500".

14 GAUGE TOP & BRACING

L	24" WIDE	WT.	30" WIDE	WT.	36" WIDE	WT.
36	S14035	46	S14041	50	-	-
48	S14036	54	S14042	60	S14047	66
60	S14037	63	S14043	70	S14048	77
72	S14038	72	S14044	80	S14049	89
84	S14038A	95	S14044A	107	S14049A	120
96	S14039	97	S14045	108	S14050	119
108	S14039A	120	S14045A	135	S14050A	150
120	S14040	114	S14046	128	S14051	163

John Boos & Co

3601 S. Banker Str. - Effingham, IL 62401 Phone: 217-347-7701 - Fax: 217-347-7705

Email: sales@johnboos.com - Web-site: www.johnboos.com



July 2013

John Boos is constantly engaged in a program of improving products and therefore reserves the right to change specification without prior notice