



"S14RB" Stainless Steel Top Tables with RISERS

w/ 14 Gauge Stainless Steel Work Top
w/ Stainless Steel Base and Bracing



Shown Welded Set-up

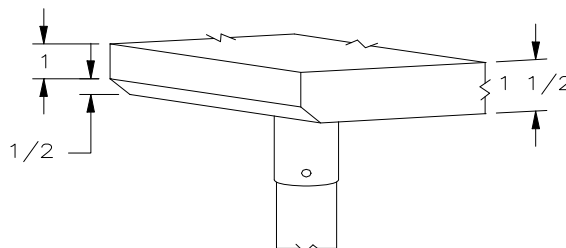
AUTOQUOTES



14 GAUGE TOP w/ BRACING					
24"WIDE	Qty	30"WIDE	Qty	36"WIDE	Qty
S14052		S14058		-	
S14053		S14059		S14064	
S14054		S14060		S14065	
S14055		S14061		S14066	
S14055A		S14061A		S14066A	
S14056		S14062		S14067	
S14056A		S14062A		S14067A	
S14057		S14063		S14068	

FEATURES:

- * 14 Gauge Stainless Steel Top with 6" Riser
Type 300 stainless steel with # 4 polish, satin finish
- * Top is **Sound Deadened**
- * Reinforced with 1"x2" channel running entire length of table
- * 1 1/2" **Stallion Edge** on front and rear with side edges 90 degree bend down for table line-up
- * Stainless Steel Base and Undershelf
Type 300 stainless steel with # 4 polish, satin finish
- * Bracing adjustable to desired height
- * Adjustable bullet feet
- * Shipped knocked-down, easy - to - assemble
- * Optional drawers, casters, pot racks, etc. available
- * All models are approved by the National Sanitation Foundation and the U.S. Department of Agriculture.



STALLION
SAFETY
EDGE

CONSTRUCTION:

Top: Stainless Steel Tops are TIG welded, Exposed welds are polished to match adjacent surface.

MATERIAL:

Top: 14 gauge stainless Steel
Type 300 stainless steel with # 4 polish, satin finish

Bracing: 1 1/4" Round O.D. 18 gauge type 300 tubular stainless steel
4 polish, satin finish

Legs: 1 5/8" Round O.D., 16 gauge type 300 tubular stainless steel
4 polish, satin finish

Gussets: Stainless steel

Feet: 1" adjustable stainless steel bullet feet

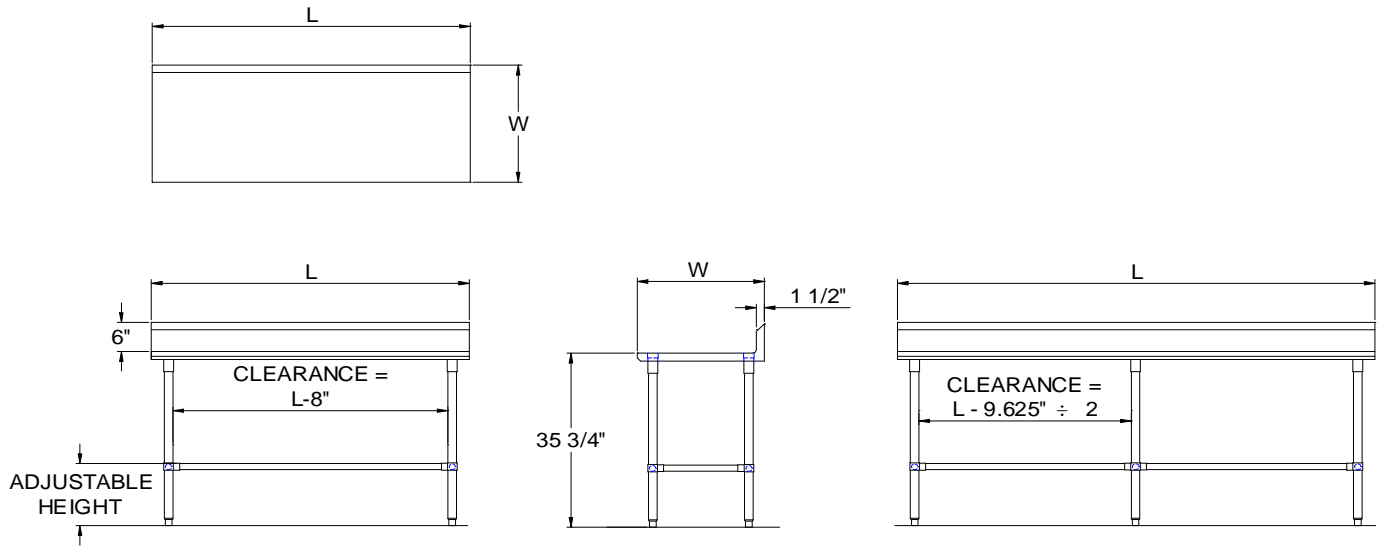
OPTIONAL ACCESSORIES

	MODEL #	Qty
DRAWER		
DRAWER LOCK		
CASTERS		
OVERSHELVES		
SINKS		
POT RACK		
WELDED SET-UP		

John Boos & Co

3601 S. Banker Street - Effingham, IL 62401
Phone: 217-347-7701 - Fax: 217-347-7705
Email: sales@johnboos.com - Web-site: www. johnboos.com

DETAILED SPECIFICATIONS



All units ship unassembled for reduced shipping cost.

Units 7 ft. and larger are furnished with six legs.

All dimensions are typical.

Tolerance +/- .500".

14 GAUGE TOP & BRACING

L	24" WIDE	WT.	30" WIDE	WT.	36" WIDE	WT.
36	S14052	55	S14058	61	-	-
48	S14053	67	S14059	74	S14064	75
60	S14054	79	S14060	88	S14065	86
72	S14055	90	S14061	101	S14066	102
84	S14055A	106	S14061A	119	S14066A	120
96	S14056	122	S14062	136	S14067	137
108	S14056A	195	S14062A	149	S14067A	150
120	S14057	146	S14063	162	S14068	164

John Boos & Co

3601 S. Banker Str. - Effingham, IL 62401 Phone: 217-347-7701 - Fax: 217-347-7705

Email: sales@johnboos.com - Web-site: www.johnboos.com



July 2013

John Boos is constantly engaged in a program of improving products and therefore reserves the right to change specification without prior notice