



"S14RGB" Stainless Steel Top Tables with RISERS

w/ 14 Gauge Stainless Steel Work Top
w/ Galvanized Base and Bracing



Shown Welded Set-up

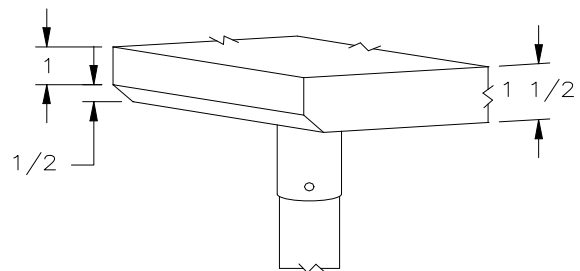
AUTOQUOTES



14 GAUGE TOP w/ BRACING					
24"WIDE	Qty	30"WIDE	Qty	36"WIDE	Qty
S14120		S14126		-	
S14121		S14127		S14132	
S14122		S14128		S14133	
S14123		S14129		S14134	
S14123A		S14129A		S14134	
S14124		S14130		S14135	
S14124A		S14130A		S14135A	
S14125		S14131		S14136	

FEATURES:

- * 14 Gauge Stainless Steel Top with 6" Riser
Type 300 stainless steel with # 4 polish, satin finish
- * Top is **Sound Deadened**
- * Reinforced with 1"x2" channel running entire length of table
- * 1 1/2" **Stallion Edge** on front and rear with side edges 90 degree bend down for table line-up
- * Galvanized Base and Undershelf
- * Bracing adjustable to desired height
- * Adjustable bullet feet
- * Shipped knocked-down, easy - to - assemble
- * Optional drawers, casters, pot racks, etc. available
- * All models are approved by the National Sanitation Foundation and the U.S. Department of Agriculture.



STALLION
SAFETY
EDGE

CONSTRUCTION:

Top: Stainless Steel Tops are TIG welded, Exposed welds are polished to match adjacent surface.

OPTIONAL ACCESSORIES

MATERIAL:

Top: 14 gauge stainless Steel
Type 300 stainless steel with # 4 polish, satin finish

Bracing: 1 1/4" Round O.D. 18 gauge tubular galvanized steel

Legs: 1 5/8" Round O.D., 16 gauge tubular galvanized steel

Gussets: Galvanized Steel

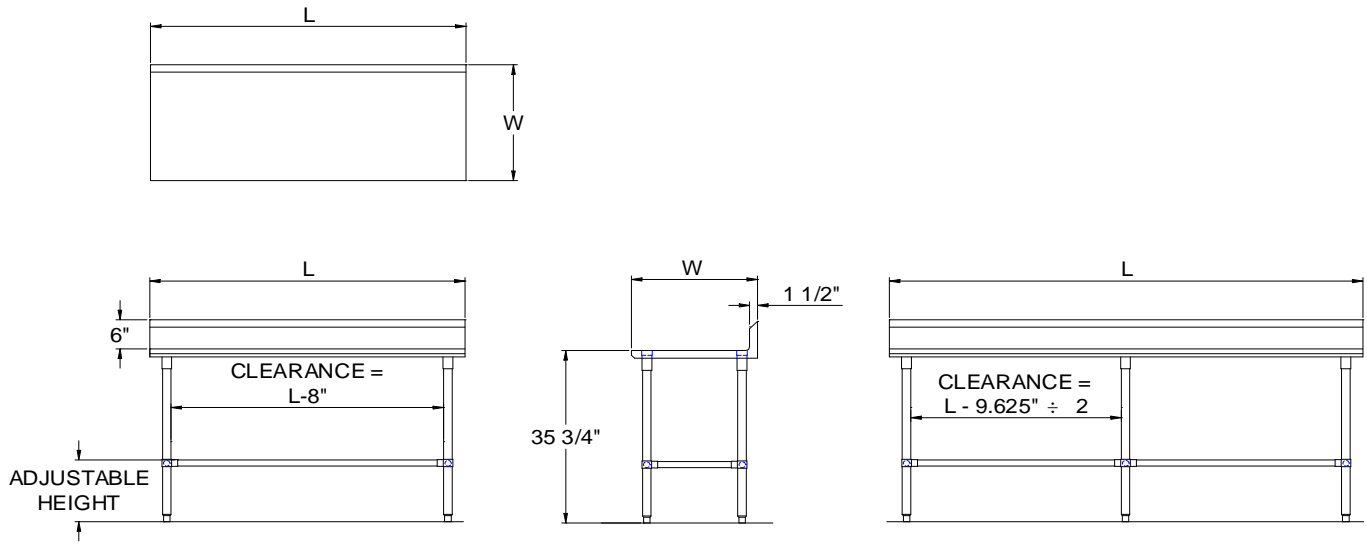
Feet: 1" adjustable galvanized bullet feet

	MODEL #	Qty
DRAWER		
DRAWER LOCK		
CASTERS		
OVERSHELVES		
SINKS		
POT RACK		
WELDED SET-UP		

John Boos & Co

3601 S. Banker Street - Effingham, IL 62401
Phone: 217-347-7701 - Fax: 217-347-7705
Email: sales@johnboos.com - Web-site: www.johnboos.com

DETAILED SPECIFICATIONS



All units ship unassembled for reduced shipping cost.
 Units 7 ft. and larger are furnished with six legs.
 All dimensions are typical.
 Tolerance +/- .500".

14 GAUGE TOP & BRACING

L	24" WIDE	WT.	30" WIDE	WT.	36" WIDE	WT.
36	S14120	55	S14126	61	-	-
48	S14121	67	S14127	74	S14132	75
60	S14122	78	S14128	87	S14133	86
72	S14123	90	S14129	100	S14134	101
84	S14123A	106	S14129A	120	S14134A	119
96	S14124	122	S14130	135	S14135	137
108	S14124A	134	S14130A	149	S14135A	150
120	S14125	145	S14131	162	S14136	163

John Boos & Co

3601 S. Banker Str. - Effingham, IL 62401 Phone: 217-347-7701 - Fax: 217-347-7705
 Email: sales@johnboos.com - Web-site: www.johnboos.com



July 2013

John Boos is constantly engaged in a program of improving products and therefore reserves the right to change specification without prior notice