



"S16RB" Stainless Steel Top Tables with RISERS

w/ 16 Gauge Stainless Steel Work Top
w/ Stainless Steel Base and Bracing



Shown Welded Set-up

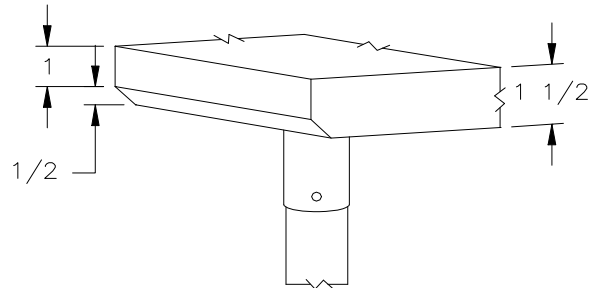
AUTOQUOTES



16 GAUGE TOP w/ BRACING					
24"WIDE	Qty	30"WIDE	Qty	36"WIDE	Qty
S16052		S16058		-	
S16053		S16059		S16064	
S16054		S16060		S16065	
S16055		S16061		S16066	
S16055A		S16061A		S16066A	
S16056		S16062		S16067	
S16056A		S16062A		S16067A	
S16057		S16063		S16068	

FEATURES:

- * 16 Gauge Stainless Steel Top with 6" Riser
Type 300 stainless steel with # 4 polish, satin finish
- * Top is **Sound Deadened**
- * Reinforced with 1"x2" channel running entire length of table
- * 1 1/2" **Stallion Edge** on front and rear with side edges 90 degree bend down for table line-up
- * Stainless Steel Base and Undershef
Type 300 stainless steel with # 4 polish, satin finish
- * Bracing adjustable to desired height
- * Adjustable bullet feet
- * Shipped knocked-down, easy - to - assemble
- * Optional drawers, casters, pot racks, etc. available
- * All models are approved by the National Sanitation Foundation and the U.S. Department of Agriculture.



STALLION
SAFETY
EDGE

CONSTRUCTION:

Top: Stainless Steel Tops are TIG welded, Exposed welds are polished to match adjacent surface.

MATERIAL:

Top: 16 gauge stainless Steel
Type 300 stainless steel with # 4 polish, satin finish

Bracing: 1 1/4" Round O.D. 18 gauge type 300 tubular stainless steel
4 polish, satin finish

Legs: 1 5/8" Round O.D., 16 gauge type 300 tubular stainless steel
4 polish, satin finish

Gussets: Stainless steel

Feet: 1" adjustable stainless steel bullet feet

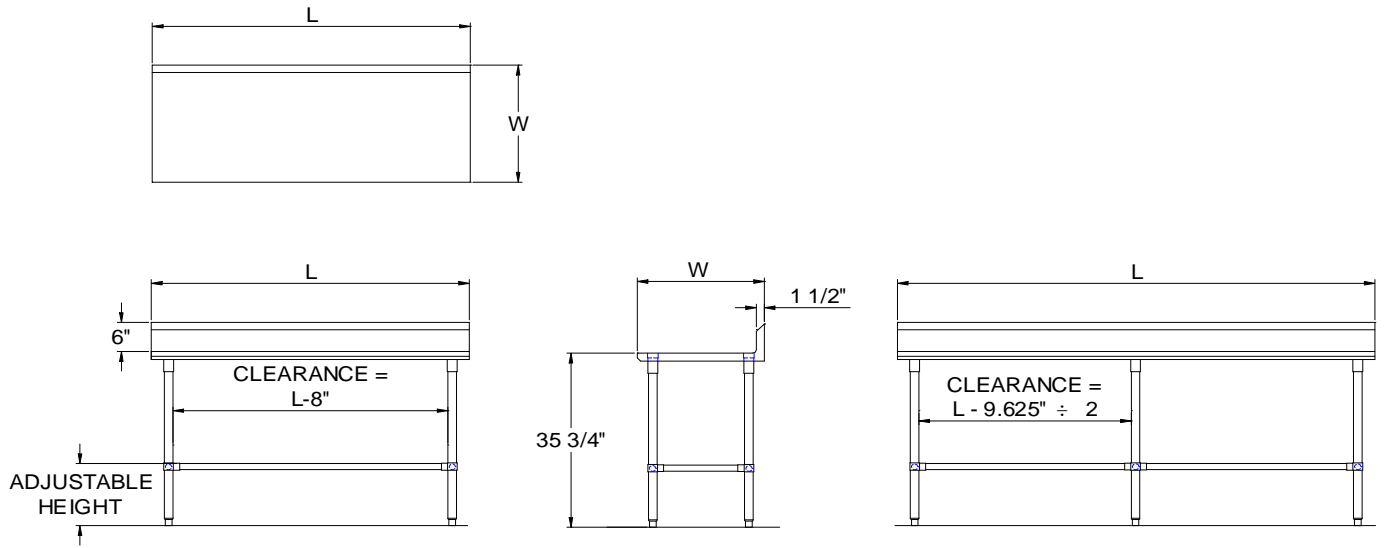
OPTIONAL ACCESSORIES

	MODEL #	Qty
DRAWER		
DRAWER LOCK		
CASTERS		
OVERSHELVES		
SINKS		
POT RACK		
WELDED SET-UP		

John Boos & Co

3601 S. Banker Street - Effingham, IL 62401
Phone: 217-347-7701 - Fax: 217-347-7705
Email: sales@johnboos.com - Web-site: www. johnboos.com

DETAILED SPECIFICATIONS



All units ship unassembled for reduced shipping cost.

Units 7 ft. and larger are furnished with six legs.

All dimensions are typical.

Tolerance +/- .500".

16 GAUGE TOP & BRACING

L	24" WIDE	WT.	30" WIDE	WT.	36" WIDE	WT.
36	S16052	50	S16058	54	-	-
48	S16053	60	S16059	66	S16064	62
60	S16054	70	S16060	77	S16065	72
72	S16055	79	S16061	88	S16066	84
84	S16055A	94	S16061A	104	S16066A	99
96	S16056	108	S16062	119	S16067	113
108	S16056A	118	S16062A	130	S16067A	124
120	S16057	128	S16063	141	S16068	134

John Boos & Co

3601 S. Banker Str. - Effingham, IL 62401 Phone: 217-347-7701 - Fax: 217-347-7705

Email: sales@johnboos.com - Web-site: www.johnboos.com



July 2012

John Boos is constantly engaged in a program of improving products and therefore reserves the right to change specification without prior notice