

# "SBO-S" Baker's Table Frame

w/ Stainless Steel Base



Item #	_____	Qty	_____
Model #	_____		
Project	_____		

AUTOQUOTES



**Shown with  
2-1/4" Thick Hard Rock Maple Top  
Model Series "BKSC"**

30" WIDE			36" WIDE			48" WIDE			60" WIDE		
Frame	Wood Top	QTY	Frame	Wood Top	QTY	Frame	Wood Top	QTY	Frame	Wood Top	QTY
SBO-S01	BKSC76O		SBO-S02	BKSC48O		-	-		-	-	
SBO-S03	BKSC77O		SBO-S04	BKSC49O		-	-		-	-	
SBO-S05	BKSC78O		SBO-S06	BKSC01O		*SBO-S07	BKSC23O		-	-	
*SBO-S08	BKSC79O		*SBO-S09	BKSC02O		*SBO-S10	BKSC24O		*SBO-S11	BKSC35O	
*SBO-S12	BKSC80O		*SBO-S13	BKSC03O		*SBO-S14	BKSC25O		*SBO-S15	BKSC36O	
*SBO-S12A	BKSC81O		*SBO-S13A	BKSC04O		*SBO-S14A	BKSC26O		*SBO-S15A	BKSC37O	
*SBO-S17	BKSC82O		*SBO-S18	BKSC05O		*SBO-S19	BKSC27O		*SBO-S20	BKSC38O	
*SBO-S22	BKSC84O		*SBO-S23	BKSC07O		*SBO-S24	BKSC29O		*SBO-S25	BKSC40O	
*SBO-S27	BKSC86O		SBO-S28	BKSC09O		SBO-S29	BKSC31O		SBO-S30	BKSC42O	

\* (Asterisk) denotes tables with 6 legs.

**FEATURES:**

- \* Stainless Steel Base fabricated from 1 1/2 " square tube 16 gauge,
- \* Legs are 1 5/8" O.D. Round 16 gauge tubing,
- \* Bracing are 1 1/4" O.D. Round 16 gauge tubing, secured in a fixed position, 12" above floor
- \* Adjustable bullet feet
- \* Standard welded Set-Up, available K.D. for freight saving
- \* Optional drawers, casters, pot racks, etc. available
- \* All models are approved by the National Sanitation Foundation

**CONSTRUCTION:**

- \* Stainless Steel Bases are MIG welded

**MATERIAL:**

- Frame: 1 1/2" Square O.D., 16 gauge
- Bracing: 1 1/4" Round O.D., 16 gauge
- Legs: 1 5/8" Round O.D., 16 gauge
- Gussets: Stainless Steel
- Feet: 1" adjustable stainless steel bullet feet

**IMPORTANT:**  
When ordering a Complete Table you must specify **BOTH** the Frame & Wood Top model numbers

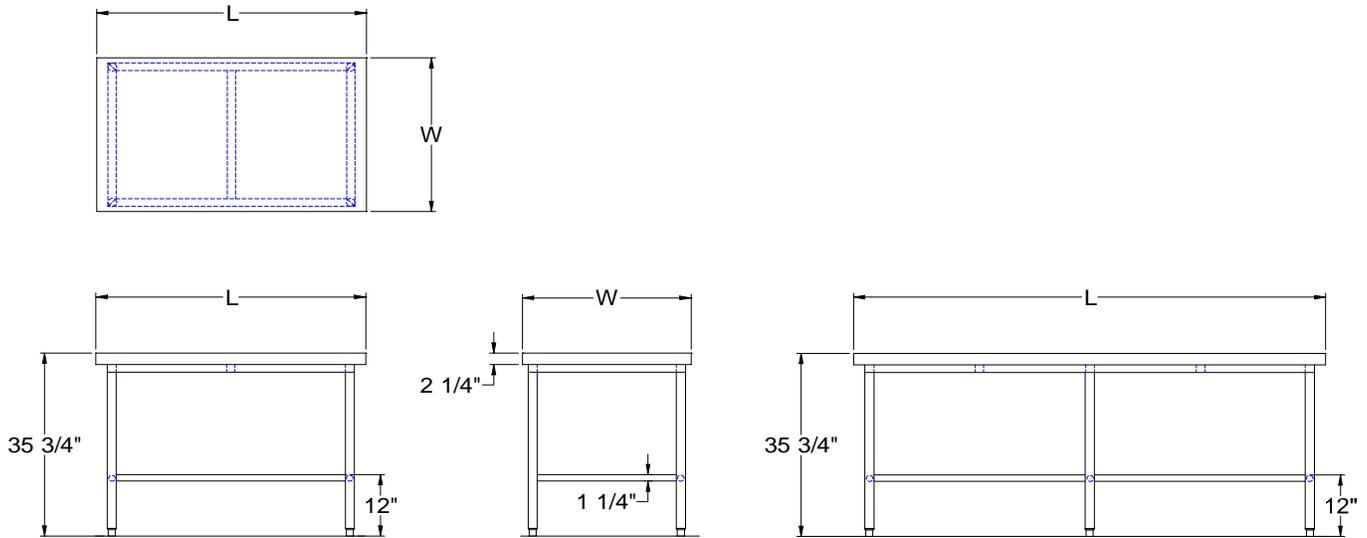
**OPTIONAL ACCESSORIES**

	MODEL #	Qty
DRAWER		
DRAWER LOCK		
UNDERSHELF		
CASTERS		
OVERSHELVES		
POT RACK		

**John Boos & Co**

3601 S. Banker Street - Effingham, IL 62401  
 Phone: 217-347-7701 - Fax: 217-347-7705  
 Email: sales@johnboos.com - Web-site: www. johnboos.com

## DETAILED SPECIFICATIONS



All units ship unassembled for i  
 Units 7 ft. and larger are furnished with six legs.  
 All dimensions are typical.  
 Tolerance +/- .500".

### STAINLESS STEEL BASE

L	30" WIDE	WT.	36" WIDE	WT.	48" WIDE	WT.	60" WIDE	WT.
48	SBO-S01	129	SBO-S02	150	-	-	-	-
60	SBO-S03	155	SBO-S04	180	-	-	-	-
72	SBO-S05	231	SBO-S06	270	*SBO-S07	347	-	-
84	*SBO-S08	213	*SBO-S09	248	*SBO-S10	319	*SBO-S11	390
96	*SBO-S12	239	*SBO-S13	279	*SBO-S14	359	*SBO-S15	440
108	*SBO-S12A	256	*SBO-S13A	281	*SBO-S14A	302	*SBO-S15A	322
120	*SBO-S17	297	*SBO-S18	344	*SBO-S19	442	*SBO-S20	544
144	*SBO-S22	354	*SBO-S23	413	*SBO-S24	531	*SBO-S25	650
168	*SBO-S27	300	*SBO-S28	475	*SBO-S29	612	*SBO-S30	749

### Bottom Brace Location

L	30" WIDE	BRACE	36" WIDE	BRACE	48" WIDE	BRACE	60" WIDE	BRACE
48	SBO-S01	Rear	SBO-S02	Rear	-	-	-	-
60	SBO-S03	Rear	SBO-S04	Rear	-	-	-	-
72	SBO-S05	Rear	SBO-S06	Rear	*SBO-S07	Centered	-	-
84	*SBO-S08	Rear	*SBO-S09	Rear	*SBO-S10	Centered	*SBO-S11	Centered
96	*SBO-S12	Rear	*SBO-S13	Rear	*SBO-S14	Centered	*SBO-S15	Centered
108	*SBO-S12A	Rear	*SBO-S13A	Rear	*SBO-S14A	Centered	*SBO-S15A	Centered
120	*SBO-S17	Rear	*SBO-S18	Rear	*SBO-S19	Centered	*SBO-S20	Centered
144	*SBO-S22	Rear	*SBO-S23	Rear	*SBO-S24	Centered	*SBO-S25	Centered
168	SBO-S27	Reat	*SBO-S28	Rear	*SBO-S29	Centered	*SBO-S30	Centered

### John Boos & Co

3601 S. Banker Str - Effingham, IL 62401 Phone: 217-347-7701 - Fax: 217-347-7705  
 Email: sales@johnboos.com - Web-site: www.johnboos.com



July 2013

John Boos is constantly engaged in a program of improving products and therefore reserves the right to change specification without prior notice