

# "SBS-G" Baker's Table Frame

w/ Galvanized Base



Item #	_____	Qty	_____
Model #	_____		
Project	_____		

AUTOQUOTES



Shown with  
2-1/4" Thick Hard Rock Maple Top  
Model Series "BKSC"

30" WIDE			36" WIDE			48" WIDE			60" WIDE		
Frame	Wood Top	QTY	Frame	Wood Top	QTY	Frame	Wood Top	QTY	Frame	Wood Top	QTY
SBS-G01	BKSC76O		SBS-G02	BKSC48O		-	-		-	-	
SBS-G03	BKSC77O		SBS-G04	BKSC49O		-	-		-	-	
SBS-G05	BKSC78O		SBS-G06	BKSC01O		*SBS-G07	BKSC23O		-	-	
*SBS-G08	BKSC79O		*SBS-G09	BKSC02O		*SBS-G10	BKSC24O		*SBS-G11	BKSC35O	
*SBS-G12	BKSC80O		*SBS-G13	BKSC03O		*SBS-G14	BKSC25O		*SBS-G15	BKSC36O	
*SBS-G12A	BKSC81O		*SBS-G13A	BKSC04O		*SBS-G14A	BKSC26O		*SBS-G15A	BKSC37O	
*SBS-G17	BKSC82O		*SBS-G18	BKSC05O		*SBS-G19	BKSC27O		*SBS-G20	BKSC38O	
*SBS-G22	BKSC84O		*SBS-G23	BKSC07O		*SBS-G24	BKSC29O		*SBS-G25	BKSC40O	
*SBS-G27	BKSC86O		SBS-G28	BKSC09O		SBS-G29	BKSC31O		SBS-G30	BKSC42O	

\*(Asterisk) denotes tables with 6 legs.

## FEATURES:

- \* Galvanized Base are fabricated from 1 1/2 " square tube 16 gauge,
- \* Legs are 1 5/8" O.D. Round 16 gauge tubing,
- \* Bracing are 1 1/4" O.D. Round 16 gauge tubing, secured in a fixed position, 12" above floor
- \* Adjustable bullet feet
- \* Standard welded Set-Up, available K.D. for freight saving
- \* Optional drawers, casters, pot racks, etc. available
- \* All models are approved by the National Sanitation Foundation

## CONSTRUCTION:

- \* Galvanized Bases are MIG welded

## MATERIAL:

Frame: 1 1/2" Square O.D., 16 gauge  
 Bracing: 1 1/4" Round O.D., 16 gauge  
 Legs: 1 5/8" Round O.D., 16 gauge  
 Gussets: Galvanized  
 Feet: 1" adjustable galvanized bullet feet

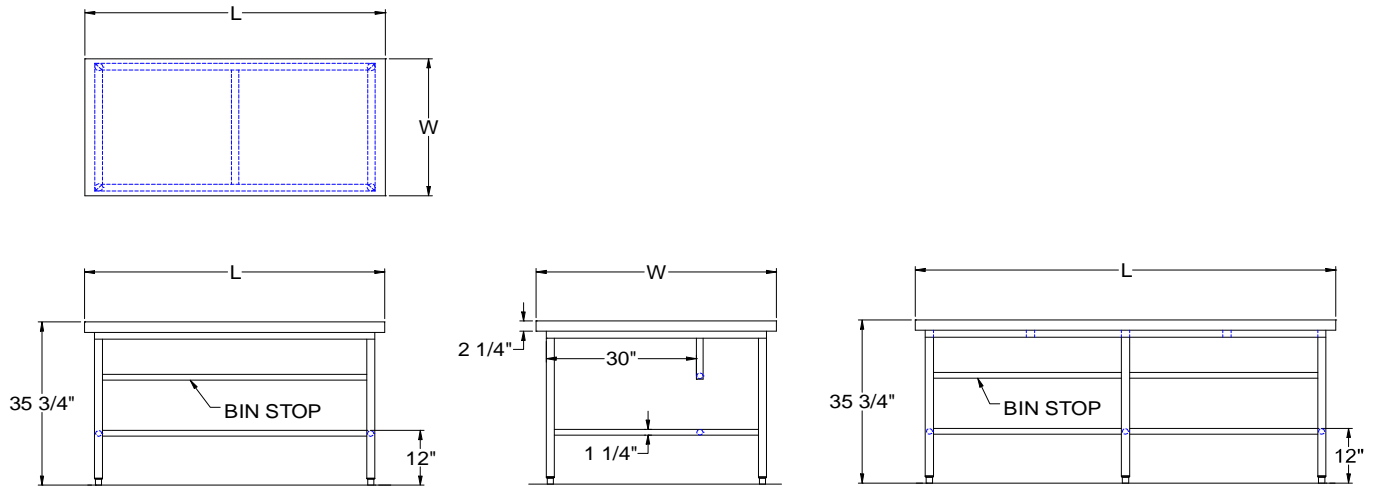
## OPTIONAL ACCESSORIES

	MODEL #	Qty
DRAWER		
DRAWER LOCK		
UNDERSHELF		
CASTERS		
OVERSHELVES		
POT RACK		

## John Boos & Co

3601 S. Banker Street - Effingham, IL 62401  
 Phone: 217-347-7701 - Fax: 217-347-7705  
 Email: sales@johnboos.com - Web-site: www.johnboos.com

## DETAILED SPECIFICATIONS



All units ship unassembled for i  
 Units 7 ft. and larger are furnished with six legs.  
 All dimensions are typical.  
 Tolerance +/- .500".

### GALVANIZED BASE

L	30" WIDE	WT.	36" WIDE	WT.	48" WIDE	WT.	60" WIDE	WT.
48	SBS-G01	129	SBS-G02	150	-	-	-	-
60	SBS-G03	155	SBS-G04	180	-	-	-	-
72	SBS-G05	231	SBS-G06	270	*SBS-G07	347	-	-
84	*SBS-G08	213	*SBS-G09	248	*SBS-G10	319	*SBS-G11	390
96	*SBS-G12	239	*SBS-G13	279	*SBS-G14	359	*SBS-G15	440
108	*SBS-G12A	256	*SBS-G13A	281	*SBS-G14A	302	*SBS-G15A	322
120	*SBS-G17	297	*SBS-G18	344	*SBS-G19	442	*SBS-G20	544
144	*SBS-G22	354	*SBS-G23	413	*SBS-G24	531	*SBS-G25	650
168	*SBS-G27	300	*SBS-G28	475	*SBS-G29	612	*SBS-G30	749

### Bottom Brace Location

L	30" WIDE	BRACE	36" WIDE	BRACE	48" WIDE	BRACE	60" WIDE	BRACE
48	SBS-G01	Rear	SBS-G02	Rear	-	-	-	-
60	SBS-G03	Rear	SBS-G04	Rear	-	-	-	-
72	SBS-G05	Rear	SBS-G06	Rear	*SBS-G07	Centered	-	-
84	*SBS-G08	Rear	*SBS-G09	Rear	*SBS-G10	Centered	*SBS-G11	Centered
96	*SBS-G12	Rear	*SBS-G13	Rear	*SBS-G14	Centered	*SBS-G15	Centered
108	*SBS-G12A	Rear	*SBS-G13A	Rear	*SBS-G14A	Centered	*SBS-G15A	Centered
120	*SBS-G17	Rear	*SBS-G18	Rear	*SBS-S19	Centered	*SBS-G20	Centered
144	*SBS-G22	Rear	*SBS-G23	Rear	*SBS-G24	Centered	*SBS-G25	Centered
168	SBS-S27	Rear	*SBS-G28	Rear	*SBS-G29	Centered	*SBS-G30	Centered

### John Boos & Co

3601 S. Banker Str - Effingham, IL 62401 Phone: 217-347-7701 - Fax: 217-347-7705  
 Email: sales@johnboos.com - Web-site: www.johnboos.com



July 2013

John Boos is constantly engaged in a program of improving products and therefore reserves the right to change specification without prior notice