



"SBS-S" Baker's Table Frame

w/ Stainless Steel Base



Item #	_____	Qty	_____
Model #	_____		
Project	_____		

AUTOQUOTES



**Shown with
2-1/4" Thick Hard Rock Maple Top
Model Series "BKSC"**

30" WIDE			36" WIDE			48" WIDE			60" WIDE		
Frame	Wood Top	QTY	Frame	Wood Top	QTY	Frame	Wood Top	QTY	Frame	Wood Top	QTY
SBS-S01	BKSC76O		SBS-S02	BKSC48O		-	-		-	-	
SBS-S03	BKSC77O		SBS-S04	BKSC49O		-	-		-	-	
SBS-S05	BKSC78O		SBS-S06	BKSC01O		*SBS-S07	BKSC23O		-	-	
*SBS-S08	BKSC79O		*SBS-S09	BKSC02O		*SBS-S10	BKSC24O		*SBS-S11	BKSC35O	
*SBS-S12	BKSC80O		*SBS-S13	BKSC03O		*SBS-S14	BKSC25O		*SBS-S15	BKSC36O	
*SBS-S12A	BKSC81O		*SBS-S13A	BKSC04O		*SBS-S14A	BKSC26O		*SBS-S15A	BKSC37O	
*SBS-S17	BKSC82O		*SBS-S18	BKSC05O		*SBS-S19	BKSC27O		*SBS-S20	BKSC38O	
*SBS-S22	BKSC84O		*SBS-S23	BKSC07O		*SBS-S24	BKSC29O		*SBS-S25	BKSC40O	
*SBS-S27	BKSC86O		SBS-S28	BKSC09O		SBS-S29	BKSC31O		SBS-S30	BKSC42O	

* (Asterisk) denotes tables with 6 legs.

FEATURES:

- * Stainless Steel Base fabricated from 1 1/2 " square tube 16 gauge,
- * Legs are 1 5/8" O.D. Round 16 gauge tubing,
- * Bracing are 1 1/4" O.D. Round 16 gauge tubing, secured in a fixed position, 12" above floor
- * Adjustable bullet feet
- * Standard welded Set-Up, available K.D.
- * Optional drawers, casters, pot racks, etc. available
- * All models are approved by the National Sanitation Foundation

IMPORTANT:

When ordering a Complete Table you must specify BOTH the Frame & Wood Top model numbers

CONSTRUCTION:

- * Stainless Steel Bases are MIG welded

MATERIAL:

Frame: 1 1/2" Square O.D., 16 gauge
 Bracing: 1 1/4" Round O.D., 16 gauge
 Legs: 1 5/8" Round O.D., 16 gauge
 Gussets: Stainless Steel
 Feet: 1" adjustable stainless steel bullet feet

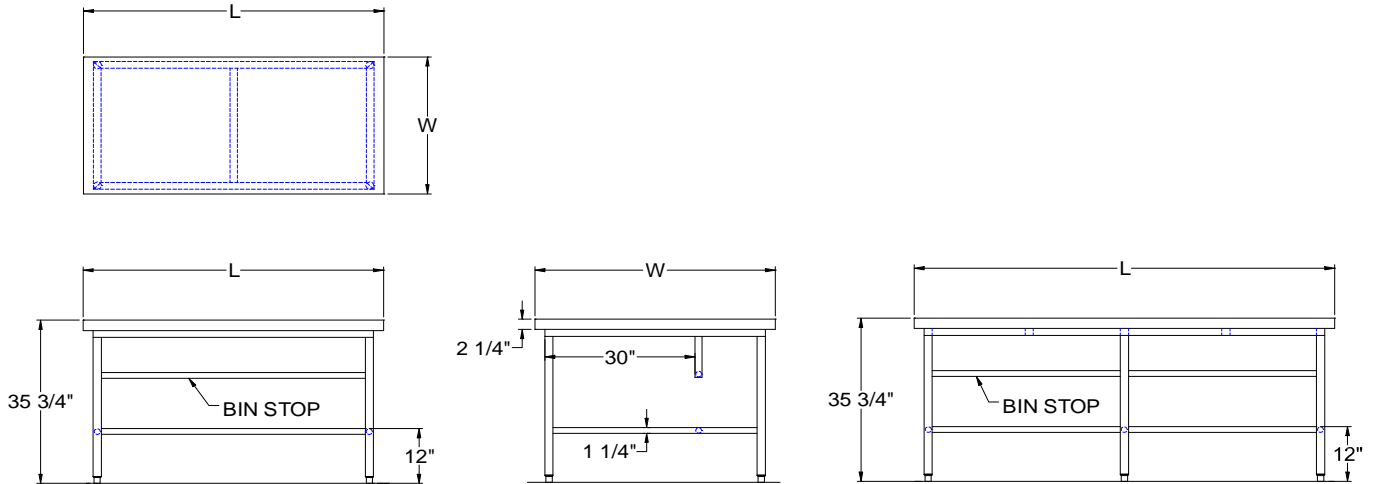
OPTIONAL ACCESSORIES

	MODEL #	Qty
DRAWER		
DRAWER LOCK		
UNDERSHELF		
CASTERS		
OVERSHELVES		
POT RACK		

John Boos & Co

3601 S. Banker Street - Effingham, IL 62401
 Phone: 217-347-7701 - Fax: 217-347-7705
 Email: sales@johnboos.com - Web-site: www.johnboos.com

DETAILED SPECIFICATIONS



All units ship unassembled for i
 Units 7 ft. and larger are furnished with six legs.
 All dimensions are typical.
 Tolerance +/- .500".

STAINLESS STEEL BASE

L	30" WIDE	WT.	36" WIDE	WT.	48" WIDE	WT.	60" WIDE	WT.
48	SBS-S01	129	SBS-S02	150	-	-	-	-
60	SBS-S03	155	SBS-S04	180	-	-	-	-
72	SBS-S05	231	SBS-S06	270	*SBS-S07	347	-	-
84	*SBS-S08	213	*SBS-S09	248	*SBS-S10	319	*SBS-S11	390
96	*SBS-S12	239	*SBS-S13	279	*SBS-S14	359	*SBS-S15	440
108	*SBS-S12A	256	*SBS-S13A	281	*SBS-S14A	302	*SBS-S15A	322
120	*SBS-S17	297	*SBS-S18	344	*SBS-S19	442	*SBS-S20	544
144	*SBS-S22	354	*SBS-S23	413	*SBS-S24	531	*SBS-S25	650
168	*SBS-S27	300	*SBS-S28	475	*SBS-S29	612	*SBS-S30	749

Bottom Brace Location

L	30" WIDE	BRACE	36" WIDE	BRACE	48" WIDE	BRACE	60" WIDE	BRACE
48	SBS-S01	Rear	SBS-S02	Rear	-	-	-	-
60	SBS-S03	Rear	SBS-S04	Rear	-	-	-	-
72	SBS-S05	Rear	SBS-S06	Rear	*SBS-S07	Centered	-	-
84	*SBS-S08	Rear	*SBS-S09	Rear	*SBS-S10	Centered	*SBS-S11	Centered
96	*SBS-S12	Rear	*SBS-S13	Rear	*SBS-S14	Centered	*SBS-S15	Centered
108	*SBS-S12A	Rear	*SBS-S13A	Rear	*SBS-S14A	Centered	*SBS-S15A	Centered
120	*SBS-S17	Rear	*SBS-S18	Rear	*SBS-S19	Centered	*SBS-S20	Centered
144	*SBS-S22	Rear	*SBS-S23	Rear	*SBS-S24	Centered	*SBS-S25	Centered
168	SBS-S27	Reat	*SBS-S28	Rear	*SBS-S29	Centered	*SBS-S30	Centered

John Boos & Co

3601 S. Banker Str - Effingham, IL 62401 Phone: 217-347-7701 - Fax: 217-347-7705

Email: sales@johnboos.com - Web-site: www.johnboos.com



July 2013

John Boos is constantly engaged in a program of improving products and therefore reserves the right to change specification without prior notice