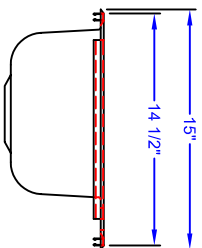
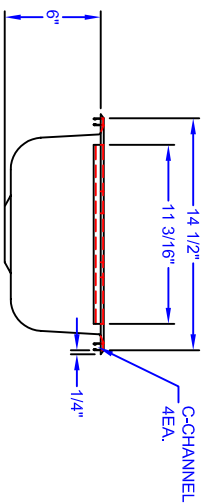
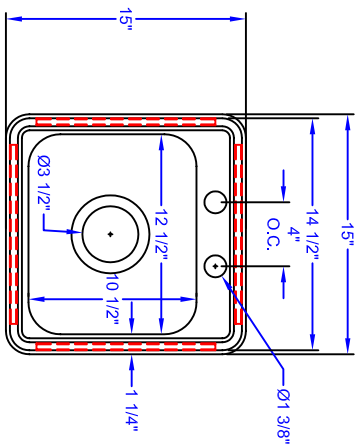


NOTES:

- CUT-OUT SIZE IS 14-9/16" x 14-9/16"
 - MOUNTING HARDWARE PROVIDED



BKDR-4
 NOT TO SCALE
 005439
 3-1/2" BASKET DRAIN
 QTY: 1

DRAWN FOR: JOHN BOOS & CO.

REF:

LOCATION:

ITEM #:

MODEL #: SK01

DATE: 1-16-07

BY: M.B.

SCALE: 1"=1'-0"

CHECKED BY:

BASE:

DATE

REVISIONS

QTY:

SHEET #:

QUAD:

PROD. NO.

MAT.

DECK: s.s.



315 S. FIRST STREET
 P.O. BOX 809
 EFFINGHAM, IL 62401
 (217) 347-7701 / FAX (217) 347-7705
 EMAIL: sales@johnboos.com
 WEB SITE: www.johnboos.com